

VALVES

TERMINAL UNIT VALVES

V6W0000

DN15...20, PN16

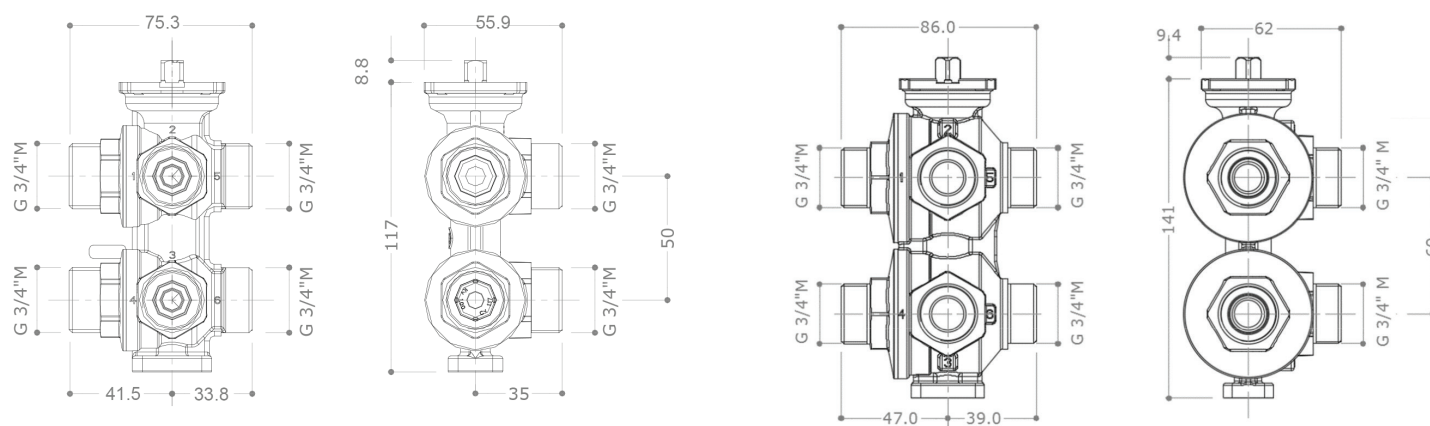


The V6W0000 line consists in 6-way ball valves used for HVAC 4-pipes applications to automatically carry out the winter-summer change-over or, potentially, the control of radiant ceilings, fan coils and chilled beams.

FEATURES

- No cross-flow between floating and cooling circuits
- Different K_{VS} combination for an accurate and valuable control
- Compact and cost effective solution
- Changeable disk to select K_{VS} on site, avoiding any possible ordering mistakes

DIMENSIONS (in mm)



ORDERING INFORMATION

CODES	BODY SIZE	K_{VS} MAX	K_{VS} WITH DISK	CONNECTION
V6W1AAE	DN15	1.25	1 - 0.63 - 0.4 - 0.25	3/4" Male Flat ends
V6W1BCF	DN20	2.7	2.1 - 1.6 - 1.0 - 0.7	
V6W0AAE	DN15	1.25	1 - 0.63 - 0.4 - 0.25	1/2" Female BSP