

VALVES

TERMINAL UNIT VALVES

VG1600

DN15 AND DN20, PN16

The newest patented Johnson Controls 270° 6-way valve are designed to regulate the flow in an easy and most efficient way of both hot and chilled water in response to the demand of a controller in HVAC systems.

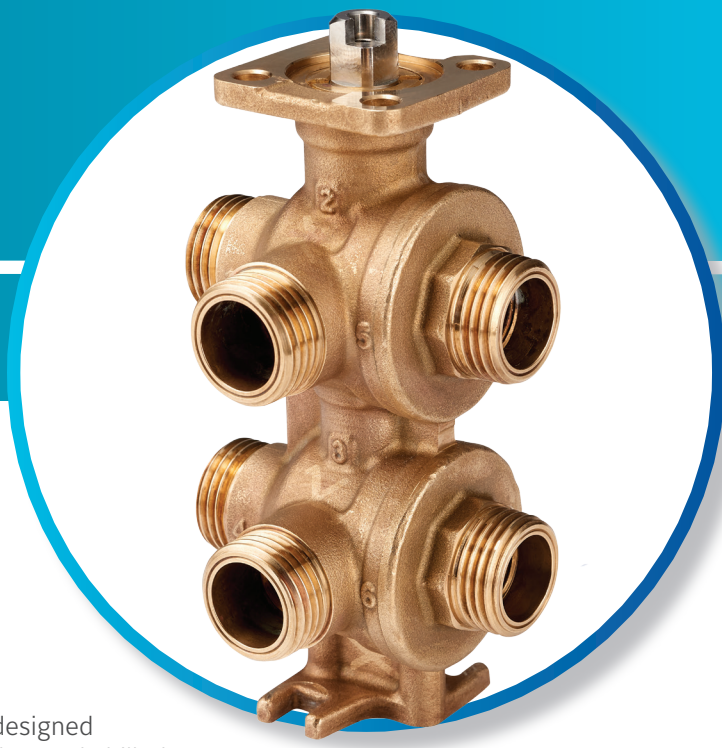
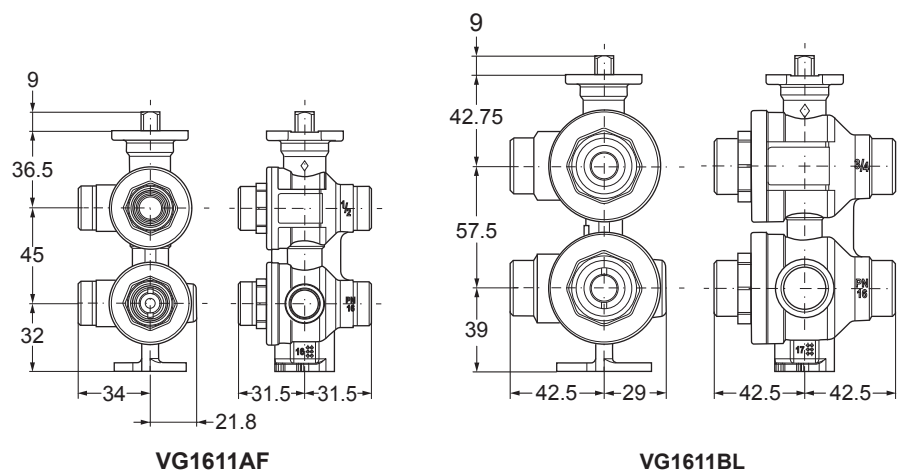
It substitutes either four through valves or two through valves and one change-over valve.

Available in 1/2" and 3/4" size, the valve is supplied at maximum K_V but smaller K_V can be obtained by installing one of the flow disk included in the valve box.

FEATURES

- Interchangeable flow disks
- Dual stainless steel AISI 304 ball and stem
- Leakage rate A, air-bubble-tight
- Tested for 100,000 full stroke cycles at harsh water conditions with 900 ppm of iron oxide
- Overpressure system to prevent any damage in the terminal unit circuit.
- 5-year unconditional warranty

DIMENSIONS (in mm)





VALVES

VG1600 - TERMINAL UNIT VALVES

ORDERING INFORMATION

CODES	K_{VS} MAX	K_{VS} WITH DISK	CONNECTION
VG1611AF	3.3	0.63 / 1 / 1.6 / 2.5	1/2" Male Flat Ends
VG1611BL	6.3	4.0 / 5.0	3/4" Male Flat Ends

ACCESSORY (ORDER SEPARATELY)

CODES	DESCRIPTION
VG1600-01	Mounting bracket
VG1600-02	Flow disk kit 1/2"
VG1600-03	Insulating shell 1/2"
VG1600-05	Flow disk kit 3/4"
VG1600-06	Insulating shell 3/4"