

ACTUATORS

TERMINAL UNIT VALVE ACTUATORS

VA-7480

MOTORIZED FLOATING AND PROPORTIONAL CONTROL

The VA-748x series provides Floating, Proportional or Proportional control with 0-10 V position feedback signal in HVAC applications. The compact design of this actuator makes it suitable for installation in confined spaces, such as fan coil, chilled ceiling, manifolds, etc.

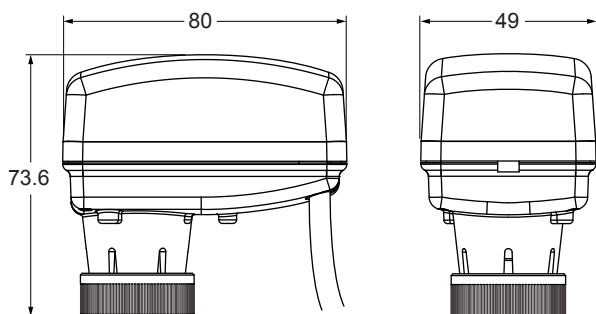
The VA-748x series actuator is designed for field mounting onto VG3000 and VP1000 terminal unit valves (*see pertinent bulletin*).

Due to the innovative concept of different strokes setting the VA-748x can be installed over most of the terminal unit valve in the market.

FEATURES

- 24 VAC/VDC and 230 VAC power supply
- Floating and Proportional control
- Threaded nut M28x1.5 and M30x1.5
- Auto stroke detection
- Configurable stroke
- Configurable to direct and reverse action
- Configurable analog inputs
- Max mechanical stroke 6.3 mm
- Feedback Control

DIMENSIONS (in mm)





ORDERING INFORMATION

CODES	CONTROL TYPE	POWER SUPPLY	RUNNING TIME	NOMINAL FORCE	FACTORY STROKE CONFIGURATION	CABLE LENGTH	MOUNTING THREAD NUT	UPPER MECHANICAL END STROKE	FEEDBACK					
VA-7480-0011	Floating	24 VAC	13 sec/mm	120 N	---	1.5 m (PVC)	M28x1.5	16.3	---					
VA-7481-0011			8 sec/mm											
VA-7480-0001			13 sec/mm											
VA-7481-0001			8 sec/mm											
VA-7480-4001			13 sec/mm											
VA-7480-4003		230 VAC	13 sec/mm				120 N	---		1.5 m (PVC)	M30x1,5	14.5	---	
VA-7480-0013			13 sec/mm											
VA-7481-0013			8 sec/mm											
VA-7480-0003			13 sec/mm											
VA-7481-0003			8 sec/mm											
VA-7482-0011	Proportional	24 VAC/VDC	8 sec/mm	160 N	Auto stroke detection	2 m (Halogen Free)	M28x1.5	16.3	■					
VA-7482-1001										3.2 mm				
VA-7482-2001										4.3 mm				
VA-7482-3001										6.0 mm				
VA-7482-5001										2.8 mm				
VA-7482-6001							M30x1,5	5.3 mm		160 N	Auto stroke detection	2 m (Halogen Free)	14.5	16.3
VA-7482-7001								5.8 mm						
VA-7482-8201								14.5						
VA-7482-9201								16.3						
VA-7483-8201								14.5						
VA-7483-9201	16.3													

Note

Models available with special cable length and reverse action factory set (*Please refer to the Product Bulletin*)