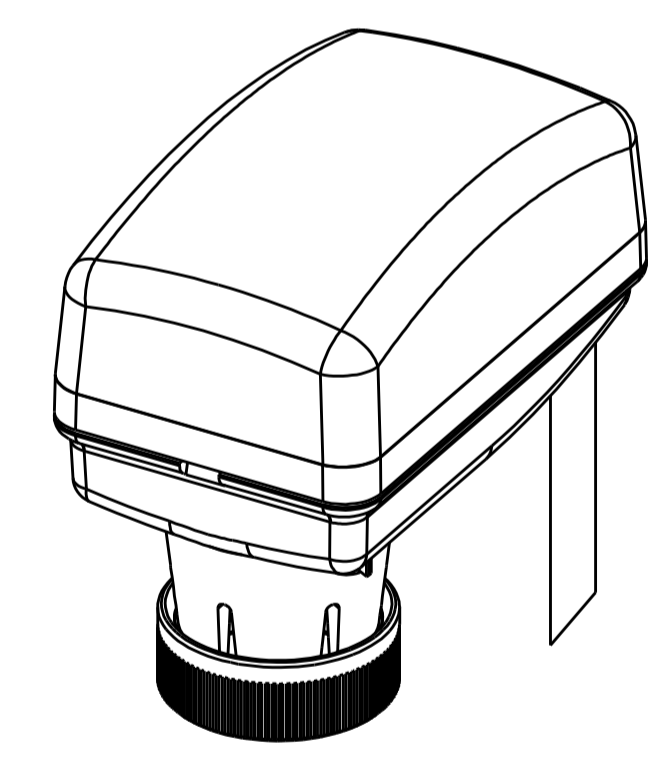
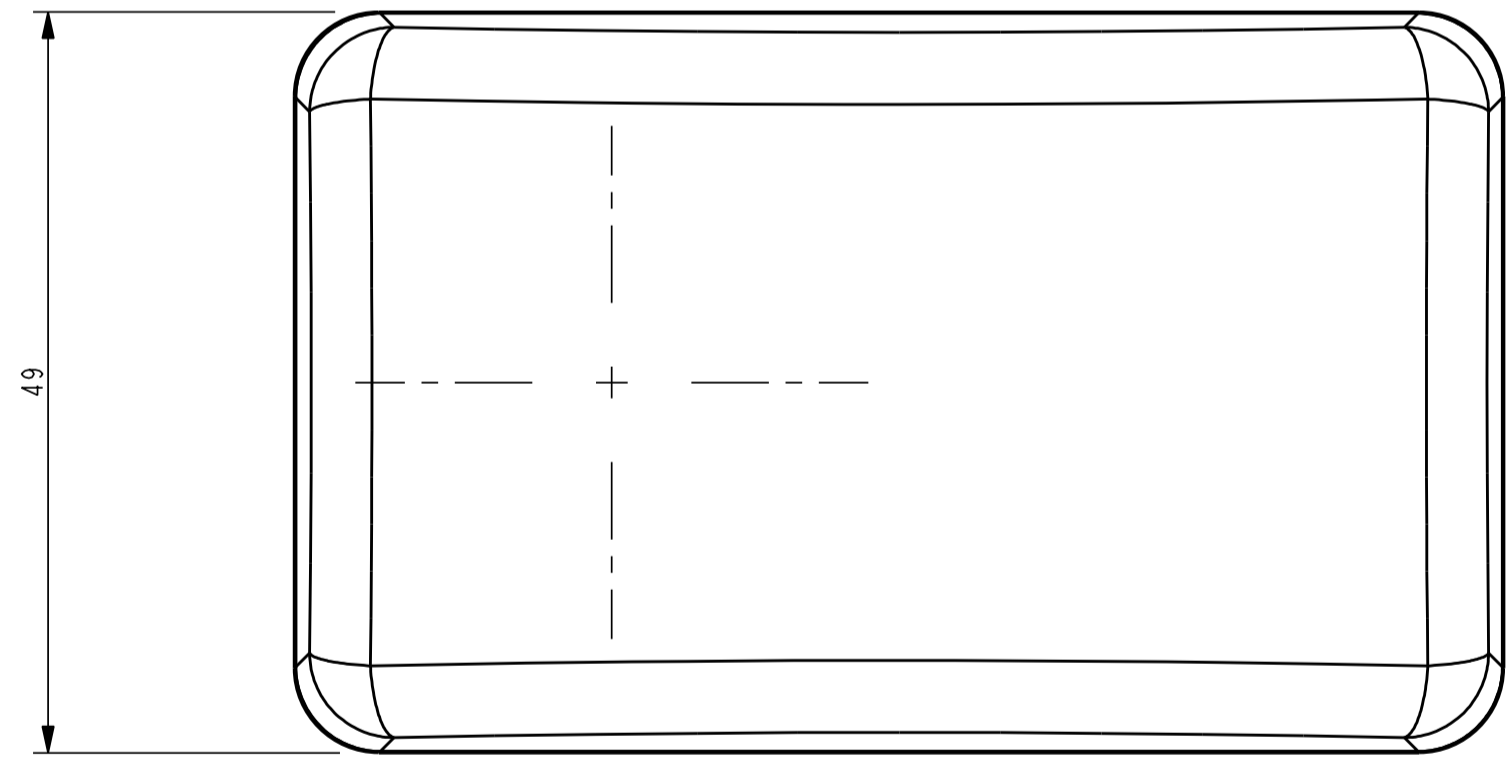
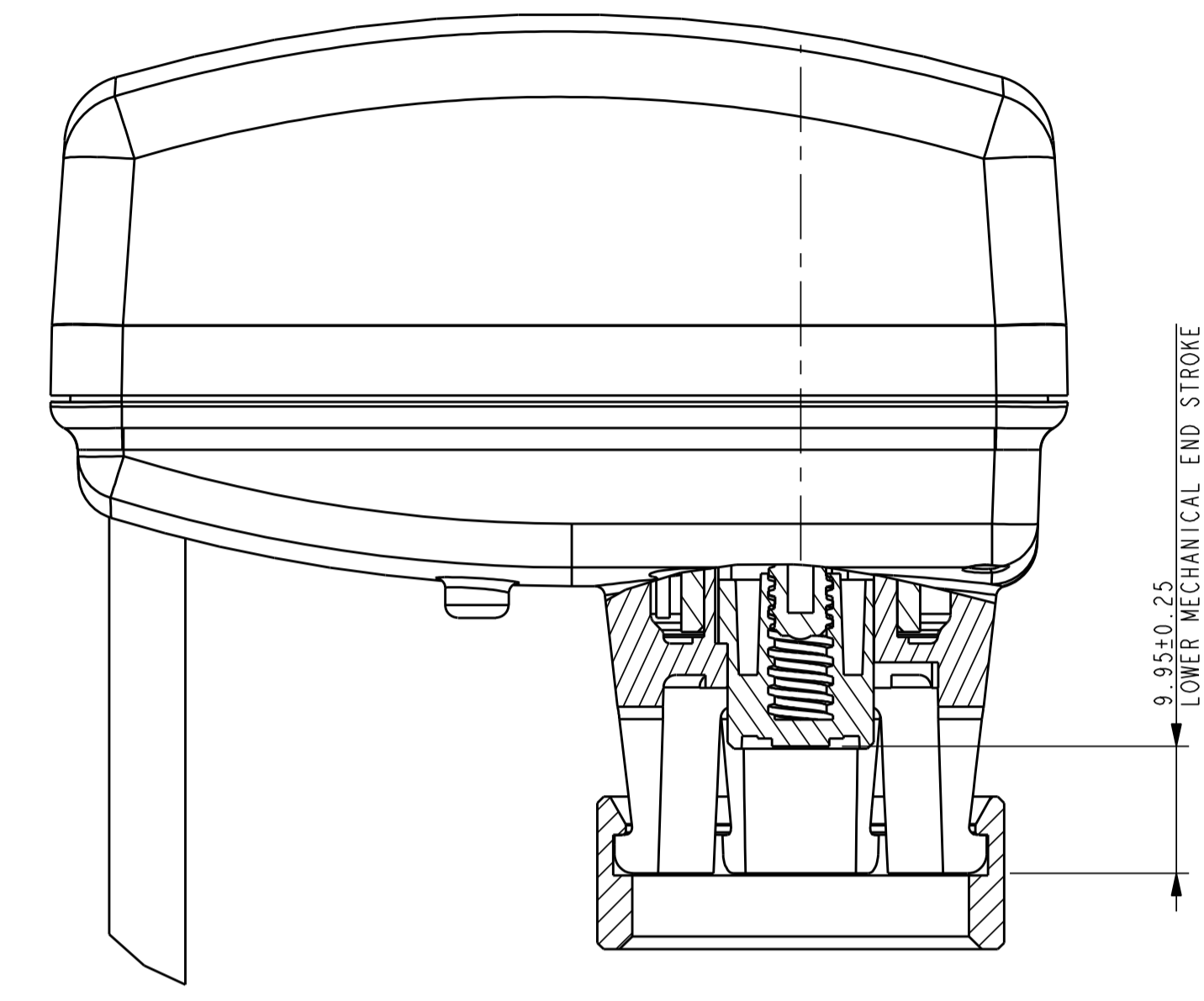
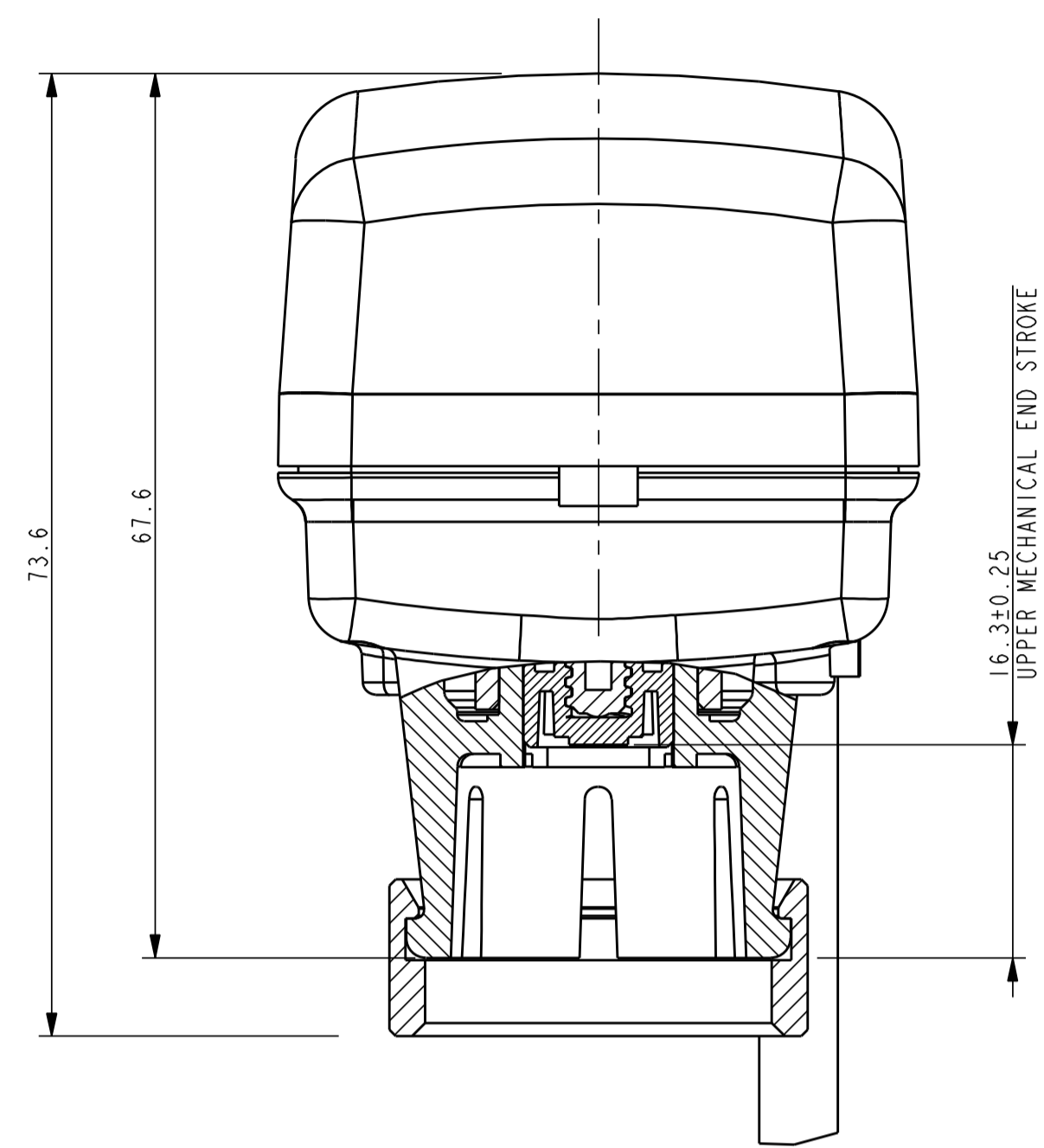
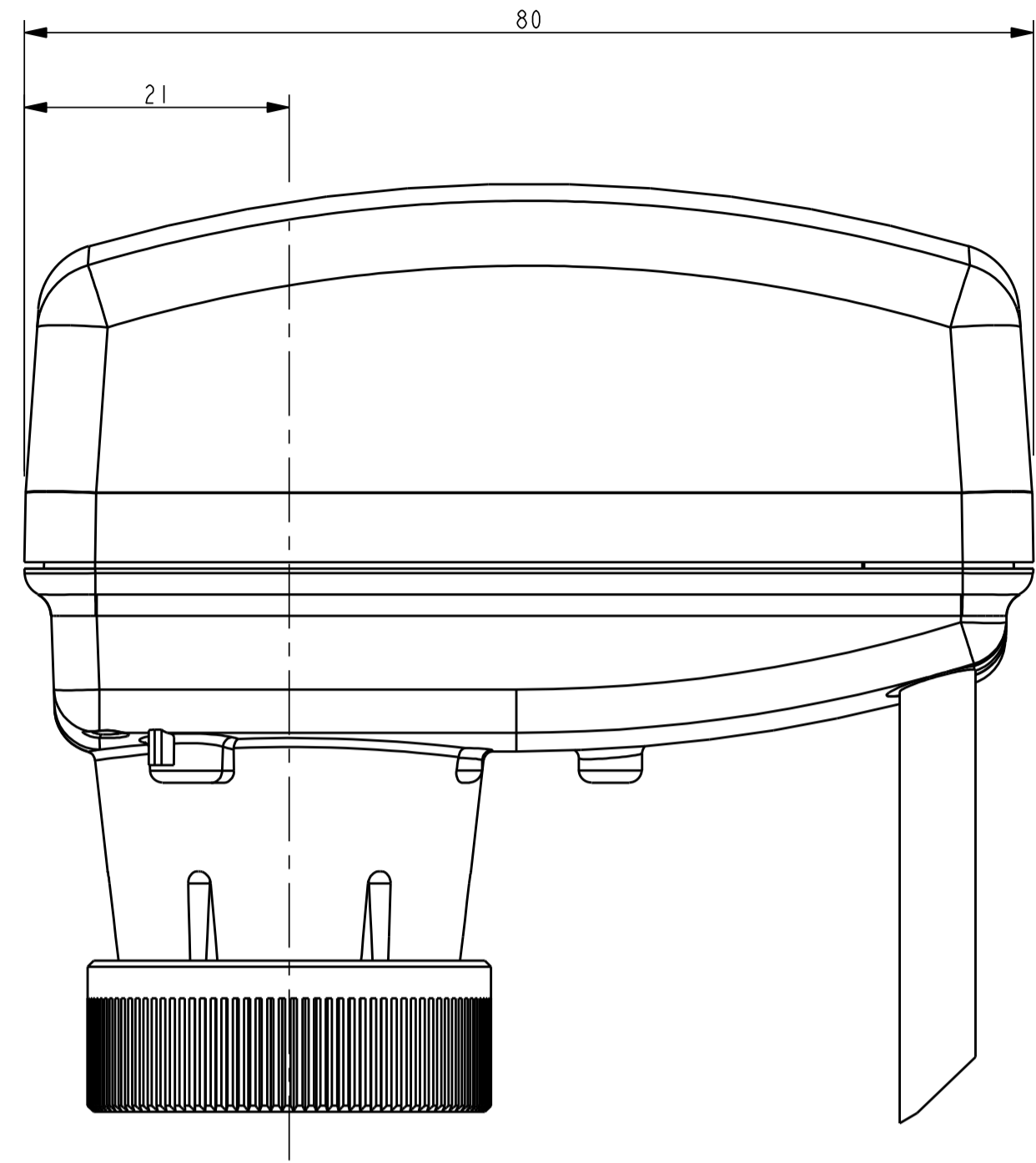


METRIC DIMENSIONS
DRAWING PER FIRST ANGLE PROJECTION



SCALE 1.000

| | | | | |
|---|-----------|----------|------------------|-------------------|
| LINEAR DIMENSIONS (EXCEPT FOR BROKEN EDGES) PERMISSIBLE DEVIATIONS FOR BASIC SIZE | RANGE | 0.5-6 mm | OVER 6-30 mm | OVER 30-120 mm |
| | TOLERANCE | ± 0.1 | ± 0.2 | ± 0.3 |
| BROKEN EDGES (RADI) AND CHAMFERS) PERMISSIBLE DEVIATIONS FOR BASIC SIZE | RANGE | 0-3 mm | OVER 3-6 mm | OVER 6 mm |
| | TOLERANCE | ± 0.2 | ± 0.5 | ± 1 |
| ANGLE DIMENSIONS PERMISSIBLE DEVIATIONS FOR RANGE OF LENGTHS OF THE SHORTER SIDE OF THE ANGLE CONCERNED | RANGE | 0-10 mm | OVER 10-50 mm | OVER 50-120 mm |
| | TOLERANCE | ± 1° | ± 0°30' | ± 0°20' |

IN CONSIDERATION OF THE RECEIPT OF THIS DOCUMENT THE RECIPIENT AGREES NOT TO REPRODUCE, COPY, USE OR TRANSMIT THIS DOCUMENT AND/OR THE INFORMATION THEREIN CONTAINED, IN WHOLE OR IN PART, OR TO SUFFER SUCH ACTION BY OTHER, FOR ANY PURPOSE EXCEPT WITH THE WRITTEN PERMISSION OF JOHNSON CONTROLS, INC. AND FURTHER AGREES TO SURRENDER SAME TO JOHNSON CONTROLS, INC. UPON DEMAND.

| | | |
|--|--|-----------------|
| ENGLISH MAXIMUM SURFACE TEXTURE | ITALIANO MASSIMA RUGGOSITÀ AMMESSA | ISO 5459 |
| (MICROMETERS) | (MICROMETERS) | ISO 1302 |
| LAST CHARACTERISTIC CLASSIFICATION | NUMERO DI CRITICHE | UNI ISO 2768-mK |
| METRIC UNITS OF MEASURE ARE IN MILLIMETERS EXCEPT WHERE SPECIFIED STANDARDS FOR APPLICATIONS | MISURE LE UNITA DI MISURA SONO IN MILLISENTI E LE APPLICAZIONI DELLI CAMPIONI SECONDO LE NORME ISO | Standard/Norme |

| | | | |
|---|----------------------|--|-----------|
| Rev. | Description/Modifica | By/Firma | Date/Date |
| B | M12-282 | ATA | 10-03-12 |
| A | M11-382C | ATA | 02-02-12 |
| A | M11-382 | ATA | 09-19-11 |
| - | RTM 6515 | ATA | 06-15-11 |
| Title/Nome | | ATA Disegnato GPI Eseg. Approvato Lomago N/A Eseg. Approvato Milesi | |
| VA-748x FLOATING & PROPORTIONAL ELECTRIC ACTUATOR | | 6515 2.1 | |
| Part. No. 17-88016-suffix | | Pro. No. 2 | |
| Dwg No/Disegno No. 17-88016 | | Rev. B | |
| | | Scale/Scala 1:1 | |