

## Non-spring return damper actuators

### M9304-xxx-1N

(Joventa DAN / DAN2 / DMN)

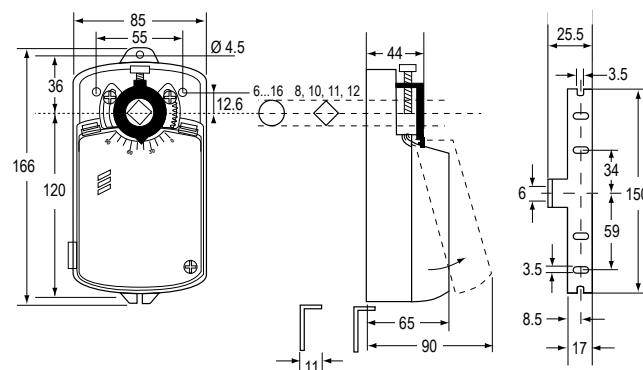
4 Nm, ON/OFF, floating and proportional control

The silence electric damper actuator series have been developed to operate small and medium air dampers in ventilation and air conditioning systems. The compact design and universal adapter fitted with limitation of rotation angle make this actuator highly versatile.

A key feature of the design is the Johnson Controls® stem adapter which also incorporates angle-of-rotation limiting and position indication.

### Features

- ▶ ON/OFF, floating and proportional control
- ▶ Load-independent running time
- ▶ Up to 5 actuators in parallel operation possible
- ▶ Plug-in terminal block connection
- ▶ Simple direct mounting with universal adapter for fitting to  $\varnothing$  6 mm to 16 mm shaft or with M9000-ZxxDN adapter kit for 8, 10, 11 and 12 mm square shaft. 45 mm min shaft length
- ▶ Selectable direction of rotation
- ▶ Limitation of rotation angle
- ▶ Manual release button
- ▶ 2 adjustable auxiliary switches
- ▶ Automatic shut-off at end position (overload switch)
- ▶ Energy saving at end positions
- ▶ Actuators available with 1 m halogen-free cable



Dimensions in mm

### Ordering information

Codes		Torque	Running time	2 x adjustable auxiliary contacts	Supply voltage (50/60Hz)
Johnson Controls	Joventa*				
M9304-AGA-1N	DAN1N	4 Nm	35 s	---	24 VAC/DC
M9304-AGC-1N	DAN1.SN			•	
M9304-ADA-1N	DAN2N			---	230 VAC
M9304-ADC-1N	DAN2.SN			•	
M9304-AKA-1N	DAN5N			---	48 VDC
M9304-AKC-1N	DAN5.SN			•	
M9304-BDA-1N	DAN2.C			---	230 VAC
M9304-BDC-1N	DAN2.SC			•	
M9304-GGA-1N	DMN1.2N			---	24 VAC/DC
M9304-GKA-1N	DMN5.2N			---	48 VAC/DC

#### Note

\* By adding a K after the type number you will acquire the same model with a halogene free cable (1 m)