

Non-spring return damper actuators

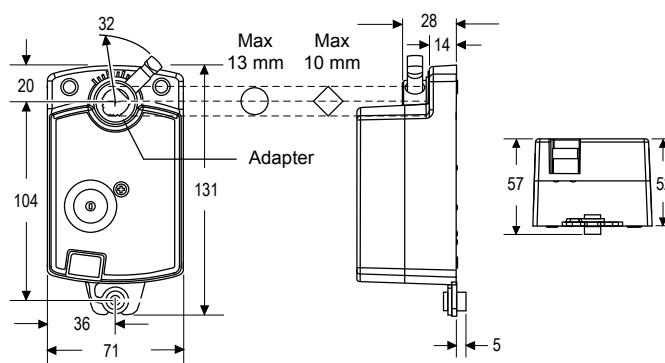
M910x-xGA-xS *(Joventa DAB / DAD / DMD)*

2 and 4 Nm, ON/OFF, floating and proportional control

The small family electric damper actuator series have been developed to operate small air dampers in ventilation and air conditioning systems. The compact design make this actuator highly versatile.

Features

- ▶ Floating, ON/OFF and proportional control
- ▶ Load-independent running time
- ▶ Up to 5 actuators in parallel operation possible
- ▶ Actuators available with PVC cable or with plug-in terminal block connection
- ▶ Simple direct mounting with universal adapter for fitting to \varnothing 8...13 mm or with 8...10 mm square shaft. 45 mm minimum shaft length
- ▶ Selectable direction of rotation
- ▶ Manual release button



Dimensions in mm

Ordering information

Codes		Torque	Running time	Control signals	Supply voltage (50/60Hz)	Connection
Johnson Controls	Joventa					
M9102-AGA-1S	DAB1.4	2 Nm	36 s	Floating without timeout	AC 24 V	PVC-cable
M9102-AGA-5S	DAB1.4C			Terminal block		
M9102-IGA-1S	DAB1					ON/OFF and floating with timeout
M9102-IGA-5S	DAB1C			Terminal block		
M9104-AGA-1S	DAD1.4	4 Nm	72 s			Floating without timeout
M9104-AGA-5S	DAD1.4C			Terminal block		
M9104-IGA-1S	DAD1					ON/OFF and floating with timeout
M9104-IGA-5S	DAD1C			Terminal block		
M9104-IUA-5S	DAD2	AC 100 to 240 V	PVC-cable			
M9104-GGA-1S	DMD1.2			Proportional 0...10 VDC	AC 24 V	PVC-cable
M9104-GGA-5S	DMD1.2C				Terminal block	