



Spring return plant valve actuators

VA9208

(*Joventa BxFx.08S*)

8 Nm, ON/OFF, floating and proportional control rotary actuators for ball valves

The VA9208 series electric spring return actuators are direct-mount actuators.

These bidirectional actuators are used to provide accurate positioning on Johnson Controls® VG1000 Series DN32 up to DN50 ball valves in Heating, Ventilating and Air Conditioning (HVAC) applications.

Two integral line voltage auxiliary switches are available only on the VA9208-xxC-1 models, indicate end-stop position, or perform switching functions within the selected rotation range.

A graduated scale from 0% to 100% and a position indicator provide visual indication of the valve's opening.

When power fails during service, the mechanical spring return system open or close the valve ports.

The series includes the following control options:

ON/OFF, 24 V AC/DC, 230 V AC power

ON/OFF and floating control, 24 V AC/DC power

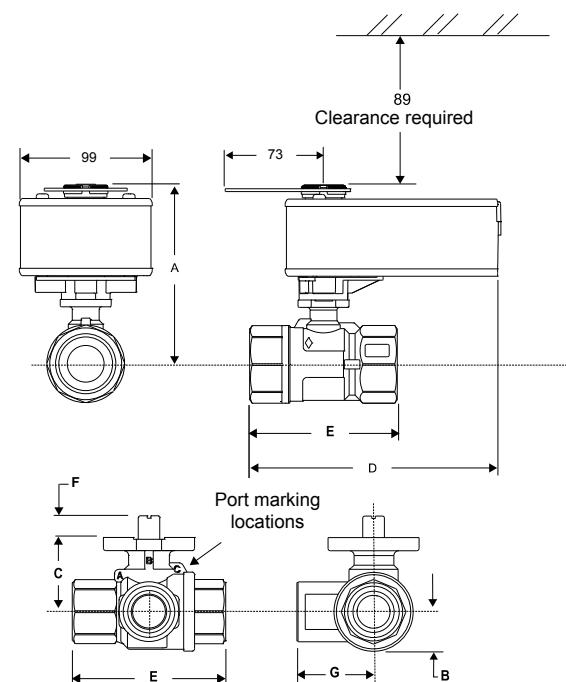
Proportional, 24 V AC/DC power, for 0(2) to 10 VDC or 0(4) to 20 mA control

Features

- ▶ 8 Nm rated torque
- ▶ Mechanical spring return system
- ▶ Direct-coupled design
- ▶ Reversible mounting
- ▶ Rugged IP54 rated enclosure
- ▶ Electronic stall detection
- ▶ Double-insulated construction
- ▶ Microprocessor controlled brushless DC motor (-AGx and -GGx models)
- ▶ External mode selection switch (-AGx and -GGx models)
- ▶ Integral cables with colored and numbered conductors
- ▶ Optional integrated auxiliary switches
- ▶ UL, CE, and C-Tick Compliance
- ▶ Manufacturing under International Standards Organization (ISO) 9001 Quality Control Standards.



VA9208 mounted on VG1000



Dimensions in mm

| Valve size mm (DN) | A | B | C | D | E | F | G |
|--------------------|-----|----|----|-----|-----|---|----|
| DN32 | 195 | 26 | 44 | 184 | 109 | 9 | 54 |
| DN40 | 200 | 29 | 48 | 189 | 119 | 9 | 59 |
| DN50 | 204 | 37 | 53 | 195 | 139 | 9 | 74 |

Spring return plant valve actuators

VA9208
(Joventa BxFx.08S)
Ordering information

| Codes | | Torque | Running time | | Control signals | Supply voltage (50/60Hz) | 2 Auxiliary Switches |
|------------------|----------|--------|--------------|-----------|-----------------|-----------------------------|-------------------------|
| Johnson Controls | Joventa | | Motor | Spring | | | |
| VA9208-GGA-1 | BMF1.08 | 8 Nm | 150 s | 17...25 s | Proportional | 24 V AC/DC | --- |
| VA9208-GGC-1 | BMF1.08S | | | | • | | |
| VA9208-AGA-1 | BBF1.08 | | | | --- | | |
| VA9208-AGC-1 | BBF1.08S | | | | • | | |
| VA9208-BGA-1 | BAF1.08 | | 53...71 s | 13...26 s | ON/OFF | --- | |
| VA9208-BGC-1 | BAF1.08S | | | | | • | |
| VA9208-BDA-1 | BAF2.08 | | | | | --- | |
| VA9208-BDC-1 | BAF2.08S | | | | | • | |

Accessories (order separately)

| Codes | Description |
|-----------|---|
| M9000-560 | Ball valve linkage kit for applying M9203 and M9208 series actuators to VG1000 series valves (quantity 1) |
| M9000-561 | Thermal barrier extends M(VA)9104, M(VA)9203 and M(VA)9208 series electric spring return actuator applications to include low pressure steam (quantity 1) |
| M9000-342 | Weathershield kit for VG1000 series ball valve application, IP54 |
| M9000-607 | Position Indicator for VG1000 Series ball valve applications (quantity 5) |