

ACTUATORS

SPRING RETURN PLANT VALVE ACTUATORS

VA9203

3 Nm, ON/OFF, FLOATING AND PROPORTIONAL CONTROL
ROTARY ACTUATORS FOR BALL VALVES

The VA9203 Series Electric Spring Return Actuators are direct-mount actuators.

These bidirectional actuators are used to provide accurate positioning on Johnson Controls® VG1000 Series DN15 up to DN25 Ball Valves in Heating, Ventilating and Air Conditioning (HVAC) applications.

One Integral line voltage auxiliary switch, available only on the VA9203-xxB-1(Z) models, indicate end-stop position, or perform switching functions within the selected rotation range.

A graduated scale from 0% to 100% and a position indicator provide visual indication of the valve's opening.

When power fails during service, the mechanical spring return system open or close the valve ports.

The series includes the following control options:

- ON/OFF, 24 V AC/DC, 100 to 240 VAC power
- ON/OFF and floating point, 24 V AC/DC power
- Proportional, 24 V AC/DC power, for 0(2) to 10 VDC or 0(4) to 20 mA control

FEATURES

- 3 Nm rated torque
- Mechanical Spring Return System
- Direct-coupled design
- Reversible mounting
- Rugged IP54 rated enclosure
- Electronic stall detection
- Double-insulated construction
- Microprocessor controlled brushless DC Motor (-AGx and -GGx models)
- External mode selection switch (-AGx and -GGx models)
- Integral cables with colored and numbered conductors
- Optional integrated auxiliary switch
- Override control (proportional models only)
- UL, CE, and C-Tick Compliance
- Manufacturing under International Standards Organization (ISO) 9001 Quality Control Standards

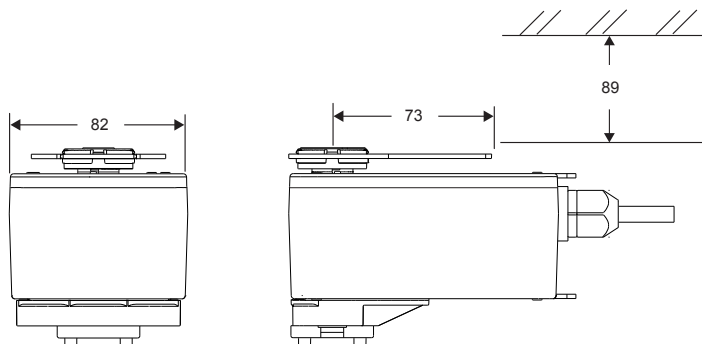




ACTUATORS

VA-9203 SPRING RETURN PLANT VALVE ACTUATORS

DIMENSIONS (in mm)



ORDERING INFORMATION

CODES	TORQUE	RUNNING TIME		CONTROL SIGNALS	SUPPLY VOLTAGE (50/60 Hz)	1 AUXILIARY SWITCH
		Motor	Spring			
VA9203-GGA-1Z	3 Nm	90 s	12...17 s	Proportional	24 V AC/DC	---
VA9203-GGB-1Z				■		
VA9203-AGA-1Z				---		
VA9203-AGB-1Z				■		
VA9203-BGA-1		53...71 s	19...23 s	ON/OFF	---	
VA9203-BGB-1					■	
VA9203-BUA-1					---	
VA9203-BUB-1					■	
					100 to 230 VAC	---
						■

ACCESSORIES (ORDER SEPARATELY)

CODES	DESCRIPTION
M9000-560	Ball valve linkage kit for applying M9203 and M9208 series actuators to VG1000 series valves (quantity 1)
M9000-561	Thermal barrier extends M(VA)9104, M(VA)9203 and M(VA)9208 series electric spring return actuator applications to include low pressure steam (quantity 1)
M9000-342	Weathershield kit for VG1000 series ball valve application of M(VA)9104, M(VA)9203 and M(VA)9208 series electric spring return actuators (quantity 1)
M9000-607	Position indicator for VG1000 series ball valve applications (quantity 5)