

ACTUATORS

SPRING RETURN PLANT VALVE ACTUATORS

VA1220 - VA1420

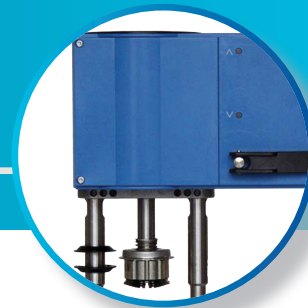
FLOATING AND PROPORTIONAL CONTROL

The VA1220 - VA1420 Valve Actuators are used to control valves in HVAC systems. They are of modular construction so that the required type of control signal is achieved simply by fitting a module with the required function in-situ. It can be mounted onto VG8000 and VG9000 series valves.



FEATURES

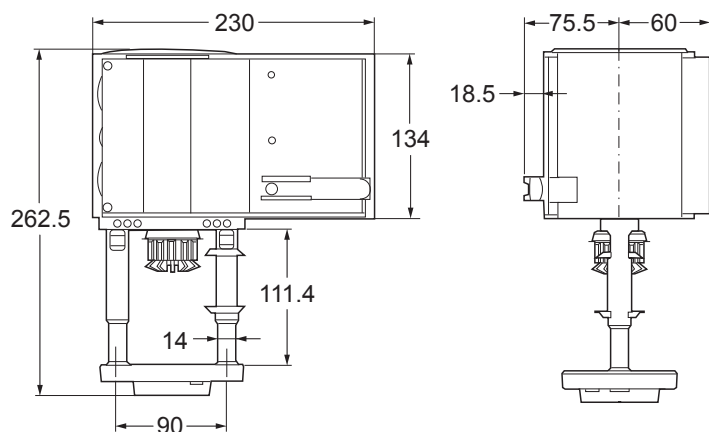
- 24 VAC and 230 VAC power supply
- Floating and Proportional control
- Manual override
- Automatic stem coupling
- Actuator fixed to valve with one ring nut
- Self adjusting, automatic stroke adjustment, calibrated pressure control at the end positions
- 2 auxiliary switches, feedback potentiometer and split range unit available
- IP66
- Selectable characteristic curve
- Selectable running time



ACTUATORS

VA1x20 SPRING RETURN PLANT VALVE ACTUATORS

DIMENSIONS (in mm)



ORDERING INFORMATION

CODES	24 V ACTUATORS	POWER CONSUMPTION	PROTECTION CLASS	NOMINAL STROKE
VA1220-GGA-1	2000N; Spring return retracts	17 VA	IP66	49 mm
VA1420-GGA-1	2000N; Spring return extends			

ACCESSORIES MODULES FOR IN-SITU INSTALLATION

CODES	DESCRIPTION
VA1000-M230N	AC 230 V module
VA1000-P2	2 K Ω feedback potentiometer
VA1000-S2	2 SPDT auxiliary switches
VA1000-EP	Extension kit for applications with temperatures greater than 140°C up to 200°C