

# ACTUATORS AND VALVES

## ACTUATORS

### NON-SPRING RETURN PLANT VALVE ACTUATORS

## FA-3000

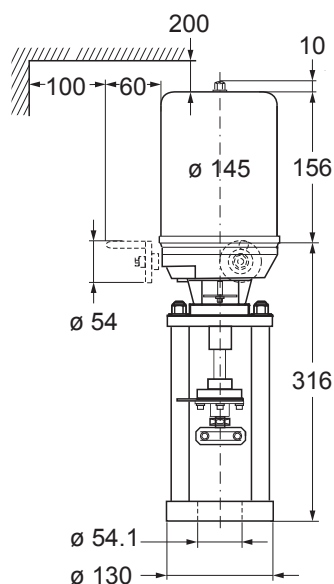
FLOATING AND PROPORTIONAL CONTROL

The FA-3300 heavy duty series provides Floating or Proportional control and can be mounted with VG8000 flanged valves.

### FEATURES

- 24 VAC and 230 VAC power supply
- Floating and Proportional control
- Manual override
- Special clamp coupler
- Uses synchronous motor with calibrated pressure limit switches

### DIMENSIONS (in mm)





## ACTUATORS

### FA-3000 NON-SPRING RETURN PLANT VALVE ACTUATORS

#### ORDERING INFORMATION

| CODES        | SUPPLY VOLTAGE (50/60 Hz) | ACTION CONTROL | FORCE  | STROKE         | FULL STROKE TIME | PROTECTION CLASS | POWER CONSUMPTION | ACCESSORIES FACTORY MOUNTED         |
|--------------|---------------------------|----------------|--------|----------------|------------------|------------------|-------------------|-------------------------------------|
| FA-3300-7416 | 24 VAC                    | Floating       | 6000 N | 42 mm (max 45) | 150 s            | IP65             | 37 VA             | ---                                 |
| FA-3303-7416 |                           |                |        |                |                  |                  |                   | 2 aux switches and 2 K $\Omega$ pot |
| FA-3341-7416 |                           | Proportional   |        |                |                  |                  | 42 VA             | 2 aux switches                      |
| FA-3300-7411 | 230 VAC                   | Floating       |        |                |                  |                  | 37 VA             | ---                                 |
| FA-3303-7411 |                           |                |        |                |                  |                  |                   | 2 aux switches and 2 K $\Omega$ pot |