

ACTUATORS

NON-SPRING RETURN PLANT VALVE ACTUATORS

VA1125

FLOATING AND PROPORTIONAL CONTROL

The VA1125 Valve Actuators are used to control Valves in HVAC systems. They are of modular construction so that the required type of control signal is achieved simply by fitting a module with the required function in-situ. It can be mounted onto VG8000, VG8300 and VG9000 series valves.

FEATURES

- 24 VAC and 230 VAC power supply
- Floating and Proportional control
- Manual override
- Automatic stem coupling
- Actuator fixed to valve with one ring nut
- Self adjusting, automatic stroke adjustment, calibrated pressure control at the end positions
- 2 auxiliary switches, feedback potentiometer and split range unit available
- IP66
- Selectable characteristic curve
- Selectable running time

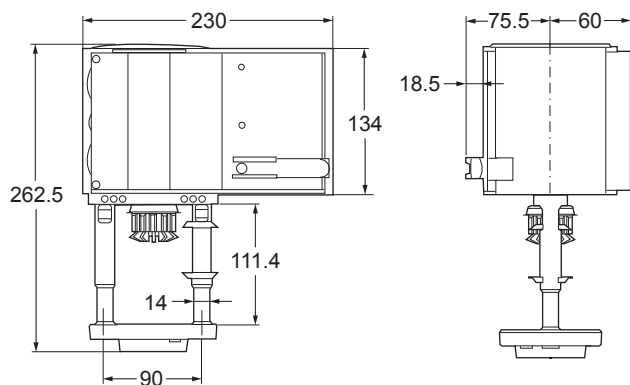




ACTUATORS

VA1125 NON-SPRING RETURN PLANT VALVE ACTUATORS

DIMENSIONS (in mm)



ORDERING INFORMATION

CODES	24 V ACTUATORS	POWER CONSUMPTION	PROTECTION CLASS	NOMINAL STROKE
VA1125-GGA-1	2500N; Non-Spring Return	20.5 VA	IP66	49 mm

ACCESSORIES MODULES FOR ON SITE INSTALLATION

CODES	DESCRIPTION
VA1000-M230N	AC 230 V module
VA1000-P2	2 K Ω feedback potentiometer
VA1000-S2	2 SPDT auxiliary switches
VA1000-EP	Extension kit for applications with temperatures greater than 140°C up to 200°C