

## ACTUATORS

### NON-SPRING RETURN PLANT VALVE ACTUATORS

## VA7810

#### FLOATING AND PROPORTIONAL CONTROL

The VA7810 Non Spring Return Actuator with 1000 N thrust for valves in heating, ventilation and air conditioning applications is available for Floating or Proportional control.

All models have manual override as standard and provide stroke capabilities of 7 mm to 25 mm. Proportional models are self-calibrating.

The actuator is intended for use with Johnson Controls VG7000 and VGS800 threaded valves as well as VG8000 and VG9000 flanged valves. All valves should be fitted in accordance with the maximum close-off pressure ratings specified.

Valve/actuators can be ordered as separate units or as a factory fitted valve/actuator combinations.

## FEATURES

- Proportional Actuators are self calibrating
- All models can also be used as floating and ON/OFF Actuators
- Force controlled motor shut-off
- Manual override as standard
- IP54 enclosure protection
- Delivered with fitted 1.5 m cable and wire terminals
- Status LED
- Models with optional aux. switches or 2 k $\Omega$  feedback potentiometer
- Control-Signal failure - stem to pre-determined position
- Stroke position indicator

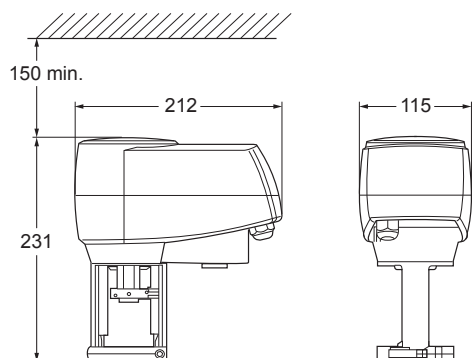




## ACTUATORS

### VA7810 NON-SPRING RETURN PLANT VALVE ACTUATORS

#### DIMENSIONS (in mm)



#### ORDERING INFORMATION

##### MOUNTING ONTO VG7000 AND VGS800 THREADED VALVES

CODES	SUPPLY VOLTAGE (50/60 Hz)	ACTION CONTROL	FORCE	STROKE	FULL STROKE TIME	PROTECTION CLASS	POWER CONSUMPTION	SPRING RETURN ACTION	ACCESSORIES FACTORY MOUNTED
VA7810-ADA-11	230 VAC	ON/OFF or Floating	1000 N	25 mm	150 s	IP54	8 VA	---	---
VA7810-ADC-11									2 aux switches
VA7810-AGA-11	24 VAC	ON/OFF or Floating	1000 N	25 mm	150 s	IP54	3 VA	---	---
VA7810-AGC-11									2 aux switches
VA7810-AGH-11		ON/OFF, Floating or Proportional	1000 N	25 mm	150 s (selectable 75 s)	IP54	6 VA	---	2 KΩ pot
VA7810-GGA-11									---
VA7810-GGC-11	2 aux switches								

##### MOUNTING ONTO VG8000 AND VG9000 FLANGED VALVES

CODES	SUPPLY VOLTAGE (50/60 Hz)	ACTION CONTROL	FORCE	STROKE	FULL STROKE TIME	PROTECTION CLASS	POWER CONSUMPTION	SPRING RETURN ACTION	ACCESSORIES FACTORY MOUNTED
VA7810-ADA-12	230 VAC	ON/OFF or Floating	1000 N	25 mm	150 s	IP54	8 VA	---	---
VA7810-ADC-12									2 aux switches
VA7810-AGA-12	24 VAC	ON/OFF or Floating	1000 N	25 mm	150 s	IP54	3 VA	---	---
VA7810-AGC-12									2 aux switches
VA7810-AGH-12		ON/OFF, Floating or Proportional	1000 N	25 mm	150 s (selectable 75 s)	IP54	6 VA	---	2 KΩ pot
VA7810-GGA-12									---
VA7810-GGC-12	2 aux switches								