

ACTUATORS

NON-SPRING RETURN PLANT VALVE ACTUATORS

VA-7700

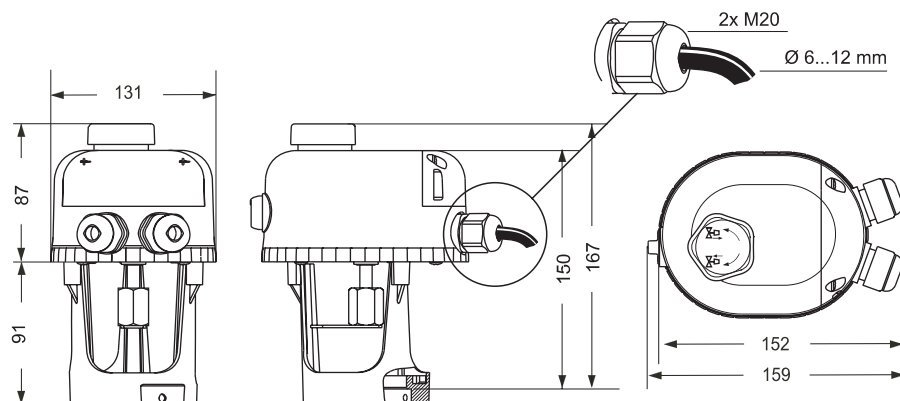
FLOATING AND PROPORTIONAL CONTROL

The VA-7700 series provides Floating and Proportional control and can be mounted onto VG7000, VGS800 and VG9000 valves.

FEATURES

- 24 VAC and 230 VAC power supply
- Floating and proportional control
- Manual override
- LED operating status display
- Self calibrating
- IP54 enclosive protection

DIMENSIONS (in mm)





ACTUATORS

VA-7700 NON-SPRING RETURN PLANT VALVE ACTUATORS

ORDERING INFORMATION

MOUNTING ONTO VG7000 SERIES VALVES

CODES	SUPPLY VOLTAGE (50/60HZ)	ACTION CONTROL	FORCE	STROKE	FULL STROKE TIME	PROTECTION CLASS	POWER CONSUMPTION
VA-7700-1001	24 VAC	Floating	500 N	20 mm	190 s	IP54	2.4 VA
VA-7700-1003	230 VAC						
VA-7740-1001	24 VAC						
VA-7740-1003	230 VAC						
VA-7706-1001	24 VAC	Proportional					4.4 VA
VA-7746-1001							

MOUNTING ONTO VGS8000 AND VG9000 SERIES VALVES

CODES	SUPPLY VOLTAGE (50/60 Hz)	ACTION CONTROL	FORCE	STROKE	FULL STROKE TIME	PROTECTION CLASS	POWER CONSUMPTION
VA-7700-8201	24 VAC	Floating	500 N	20 mm	190 s	IP54	2.4 VA
VA-7700-8203	230 VAC						
VA-7740-8201	24 VAC						
VA-7740-8203	230 VAC						
VA-7706-8201	24 VAC	Proportional					4.4 VA
VA-7746-8201							