

## ACTUATORS

### NON-SPRING RETURN PLANT VALVE ACTUATORS

## VA-7150

#### FLOATING AND PROPORTIONAL CONTROL

The VA-7150 series Synchronous Motor Driven Actuator provides Floating or Proportional control of valves with up to 19 mm stroke in heating, ventilation and air conditioning applications.

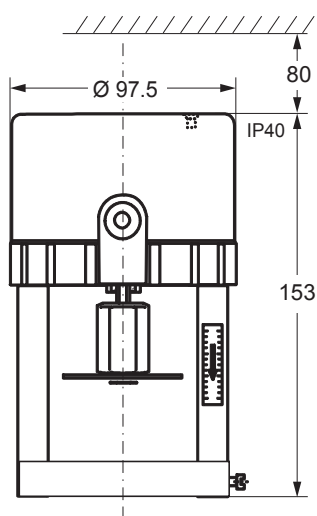
This compact, Non-Spring Return Actuator has 500 N nominal thrust and responds to a variety of input signals. The VA-7150 series can be easily installed on site or ordered pre-fitted to VG7000 and VGS800 valve series in accordance with the specified maximum close-off pressure ratings.



### FEATURES

- 500 N force output in a compact unit
- Magnetic clutch
- Unique Yoke design
- Coupler for simple Actuator attachment to Flanged Valves
- Positioner with adjustable starting point and span, reverse and direct action modes
- "Signal fail" safe position

### DIMENSIONS (in mm)



### ORDERING INFORMATION

CODES	SUPPLY VOLTAGE (50/60 Hz)	ACTION CONTROL	PROTECTION CLASS	COUPLER TYPE
VA-7150-1001	24 VAC	Floating	IP40	Threaded
VA-7150-1003	230 VAC			
VA-7152-1001	24 VAC	Proportional 0...10 V		