

ACTUATORS

NON-SPRING RETURN PLANT VALVE ACTUATORS

VA-7200

FLOATING AND PROPORTIONAL CONTROL

The VA-720x Series Synchronous Motor Driven Actuator provides Floating or Proportional control of valves, with up to 19 mm stroke in heating, ventilation and air conditioning applications.

This compact Non-Spring Return Actuator has a 1000N nominal force and responds to a variety of input signals.

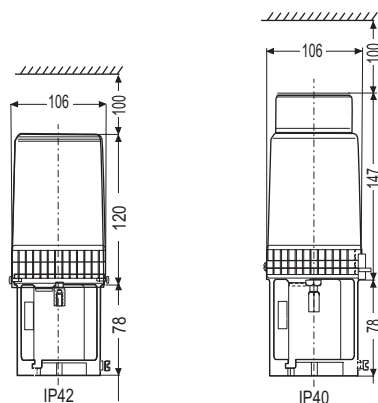
The VA-7200 series can be easily field mounted or ordered factory coupled to VG7000 series valves in accordance with the specified maximum close-off pressure ratings.



FEATURES

- 1000N force output compact unit
- Magnetic clutch
- Signal fail "safe position"

DIMENSIONS (in mm)



ORDERING INFORMATION

CODES	SUPPLY VOLTAGE (50/60 Hz)	CONTROL	MOTOR RATING	PROTECTION CLASS
VA-7200-1001	24 VAC	Floating	5 W	IP42
VA-7202-1001		Proportional 0...10 VDC / 0(4)...20 mA		