

VALVES

PLANT VALVES

VFB BUTTERFLY VALVES

DN25...500, PN16

VFB butterfly valves series are specifically designed for a wide range of Heating, Ventilating, and Air Conditioning (HVAC) applications, including two-position and modulating control of hot, chilled, or condenser water, and 50/50 glycol solutions. All valves are factory tested for bubble-tight shutoff at 100% of the fully-rated pressure.

These valves are also bidirectional, allowing positive shutoff with the flow in either direction.

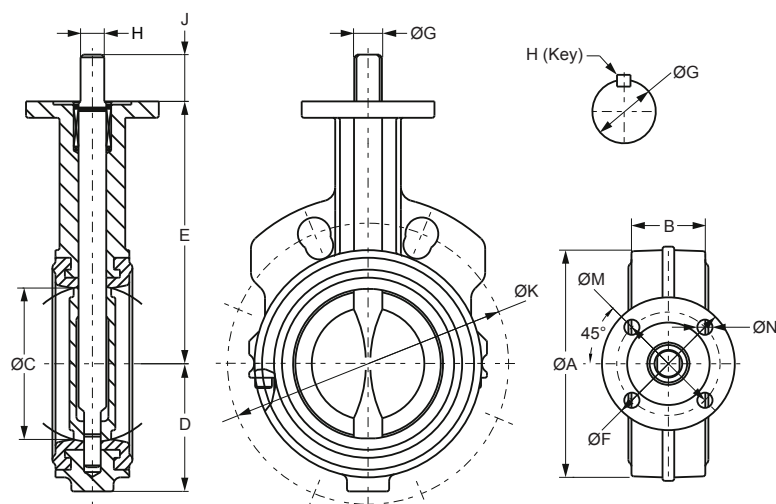
FEATURES

- **Low seating/unseating torques** - Reduce actuator torque and size requirements, particularly with lower-pressure rated valves
- **Bubble-tight shutoff** - Ensures positive closure when needed
- **Broad range of pre-assembled actuators** - Offers a wide selection for new and replacement electric and pneumatic actuators
- **High-integrity components** - Provide quality valve assemblies, combining long cycle life with optimal engineered functional designs
- **Fluid temperature limits** -29°C to 121°C
- **Flow characteristics** - Modified equal percentage



VFB BUTTERFLY VALVES - PLANT VALVES

DIMENSIONS (in mm)



TWO-WAY VALVE

VALVE SIZE (mm)	VALVE SIZE (inch)	A	B	C	D	E	F	M	N	G	H	J	VALVE NET WEIGHT ** (kg)	TOP FLANGE ISO 5211	NUMBER OF HOLES ON FLANGE		NUMBER OF HOLES ON FLANGE		NUMBER OF HOLES ON FLANGE	
															K*	PN6	K*	PN10	K*	PN16
25	1	60	30	32	43	25	65	50	7	10	8	25	1	F05	75	4 x M10	85	4 x M12	85	4 x M12
32	1-¼	70	32	41	53	25	65	50	7	10	8	25	1,2	F05	90	4 x M12	100	4 x M16	100	4 x M16
40	1-½	80	32	47	55	25	65	50	7	10	8	25	2.8	F05	100	4 x M12	110	4 x M16	110	4 x M16
50	2	94	42	51	56	140	90	70	10	14	10	32	3.1	F07	110	4 x M12	125	4 x M16	125	4 x M16
65	2-½	106	45	64	63	152	90	70	10	14	10	32	4.1	F07	130	4 x M12	145	4 x M16	145	4 x M16
80	3	124	45	76	71	159	90	70	10	14	10	32	4.3	F07	150	4 x M16	160	8 x M16	160	8 x M16
100	4	154	51	102	87	178	90	70	10	16	11	32	4.9	F07	170	4 x M16	180	8 x M16	180	8 x M16
125	5	179	55	127	102	190	90	70	10	19	13	32	7.2	F07	200	8 x M16	210	8 x M16	210	8 x M16
150	6	206	55	146	115	203	90	70	10	19	13	32	9.5	F07	225	8 x M16	240	8 x M20	240	8 x M20
200	8	267	59	197	146	241	150	125	14	22	16	32	12	F07	280	8 x M16	295	8 x M20	295	12 x M20
250	10	324	67	248	181	273	150	125	14	30	22	51	17	F12	335	12 x M16	350	12 x M20	355	12 x M24
300	12	378	77	298	206	311	150	125	14	30	22	51	20	F12	395	12 x M20	400	12 x M20	410	12 x M24
350	14	433	78	337	238	346	150	125	14	35	10x10***	51	23	F12	445	12 x M20	460	16 x M20	470	16 x M24
400	16	488	102	387	273	375	150	125	14	35	10x10***	51	27	F12	495	16 x M20	515	16 x M24	525	16 x M27
450	18	536	114	438	305	406	210	165	21	50	10x12***	64	30	F16	---	---	565	20 x M24	585	20 x M27
500	20	591	127	489	356	436	210	165	21	50	10x12***	64	33	F16	---	---	650	20 x M24	650	20 x M30

Notes

* Disc chordal dimension at valve face.

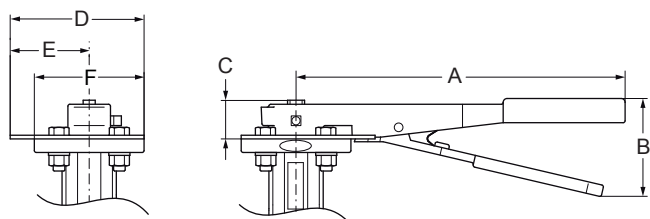
** Net weight is for valve only (no actuator).

*** Key: the key is needed to link the actuator. It is inside the package of the valve. Dimensions in mm (high x width).

VFB BUTTERFLY VALVES - PLANT VALVES

DIMENSIONS (in mm)

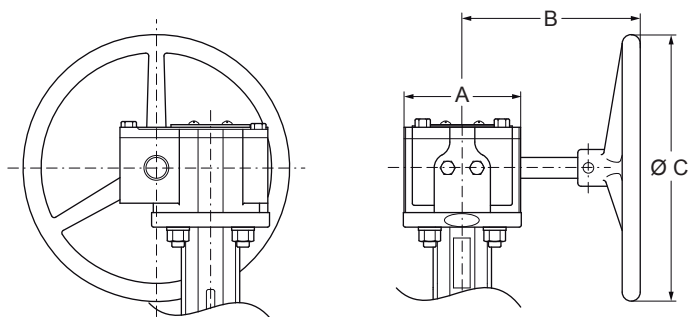
TEN-POSITION MANUAL HANDLE



VALVE SIZE (mm)	VALVE SIZE (inch)	CODES *	A	B	C
25 to 40	1/2" to 1-1/2"	VF-998-100	196	60	25
50 to 80	2" to 3"	VF-998-101	270	80	32
100	4"	VF-998-102	270	80	32
125 to 150	5" to 6"	VF-998-103	270	80	32
200	8"	VF-998-104	298	80	32
250 to 300	10" to 12"	VF-998-105	298	80	51

Note

* Kit includes a manual gear operator, adaptor (if required), and mounting hardware.



VALVE SIZE (mm)	VALVE SIZE (inch)	CODES *	A	B	C
50 to 150	2" to 6"	VF-998-303	90	136	203
200	8"	VF-998-304	150	190	203
250 to 300	10" to 12"	VF-998-305	150	190	203
350 to 400	14" to 16"	VF-998-307	150	303	305
450 to 500	18" to 20"	VF-998-308	210	379	305

Note

* Kit includes a manual gear operator, adaptor (if required), and mounting hardware.



VALVES

VFB BUTTERFLY VALVES - PLANT VALVES

ORDERING INFORMATION

CODES	BODY SIZE	VALVE SIZE (inch)	K_{VS} VALUE	MAX ΔP (kPa) CLOSE-OFF PRESSURE
High pressure close-off (12 Bar from DN50 to DN300, 10 Bar all other sizes)				
VFB025H	DN25	1	52	1000
VFB032H	DN32	1 ¼	72	
VFB040H	DN40	1 ½	126	
VFB050H	DN50	2	124	1200
VFB065H	DN65	2 ½	243	
VFB080H	DN80	3	397	
VFB100H	DN100	4	723	
VFB125H	DN125	5	1083	
VFB150H	DN150	6	1591	
VFB200H	DN200	8	2852	
VFB250H	DN250	10	4670	1000
VFB300H	DN300	12	6946	
VFB350H	DN350	14	9063	
VFB400H	DN400	16	12044	
VFB450H	DN450	18	14804	
VFB500H	DN500	20	19212	
Low pressure close-off (3,5 Bar from DN100 to DN500)				
VFB100L	DN100	4	723	350
VFB125L	DN125	5	1083	
VFB150L	DN150	6	1591	
VFB200L	DN200	8	2852	
VFB250L	DN250	10	4670	
VFB300L	DN300	12	6946	
VFB350L	DN350	14	9063	
VFB400L	DN400	16	12044	
VFB450L	DN450	18	14804	
VFB500L	DN500	20	19212	

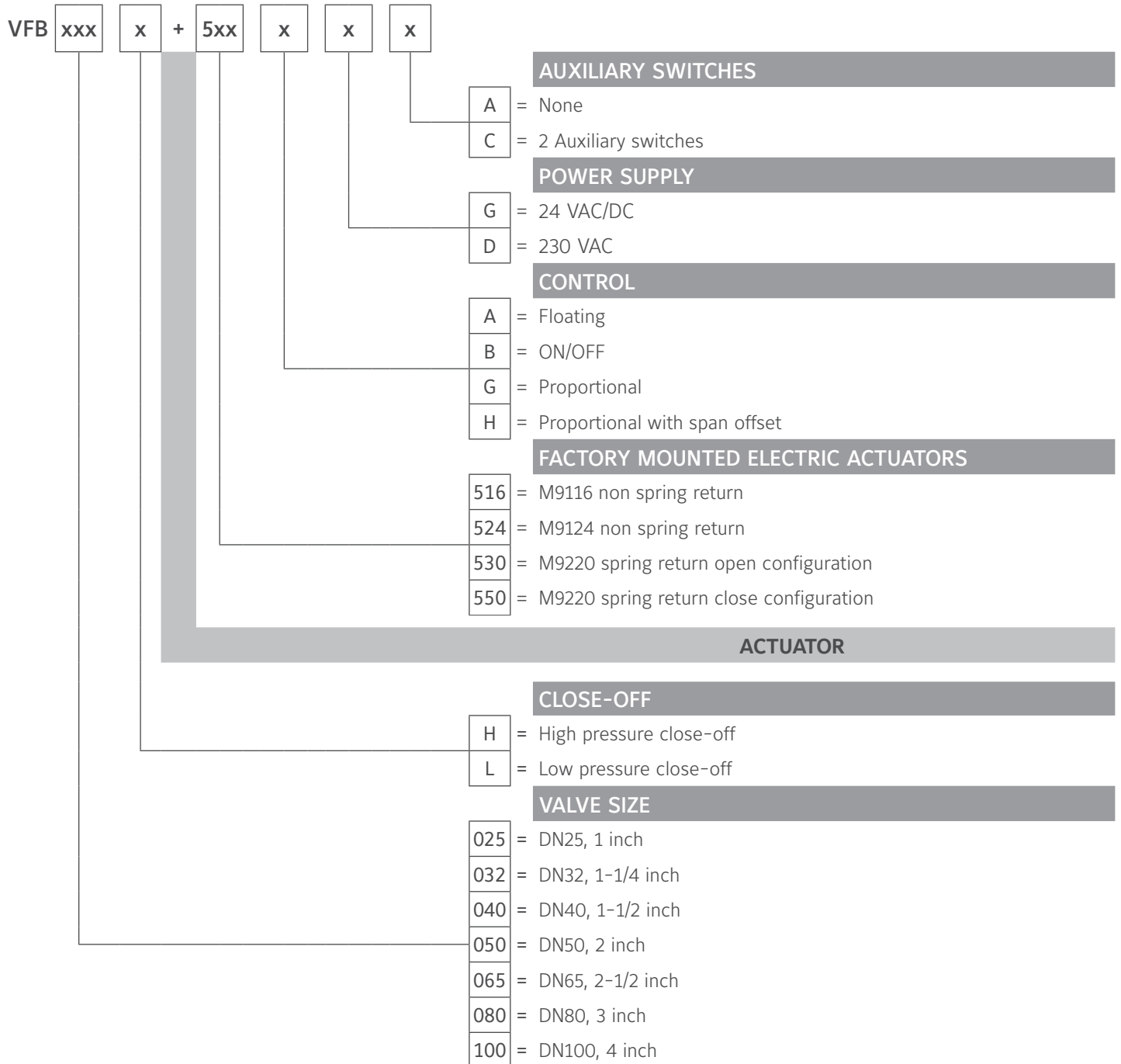


VALVES

VFB BUTTERFLY VALVES - PLANT VALVES

ORDERING CODES

VFB BUTTERFLY VALVES WITH M9000 ACTUATORS ASSEMBLY





VALVES

VFB BUTTERFLY VALVES - PLANT VALVES

ORDERING INFORMATION

VBF VALVES WITH M9000 ACTUATORS AND NECESSARY LINKAGE CODE - AVAILABLE COMBINATION

VALVES				ACTUATORS		
				Non Spring Return		Spring Return
				Torque (<i>Nm</i>)		
				16	24	20
CODES	DN	INCHES	MAX CLOSE-OFF PRESSURE (<i>bar</i>)	M9116	M9124	M9220
VFB025H	25	1"	12	M9100-100A	---	M9200-100A
VFB032H	32	1-1/4"	12	M9100-100A		M9200-100A
VFB040H	40	1-1/2"	12	M9100-100A		M9200-100A
VFB050H	50	2"	12	M9100-100B		M9200-100B
VFB065H	65	2-1/2"	12	M9100-100B		M9200-100B
VFB080H	80	3"	12	---	M9100-100B	M9200-100B
VFB100L	100	4"	3.5		M9100-100C	M9200-100C

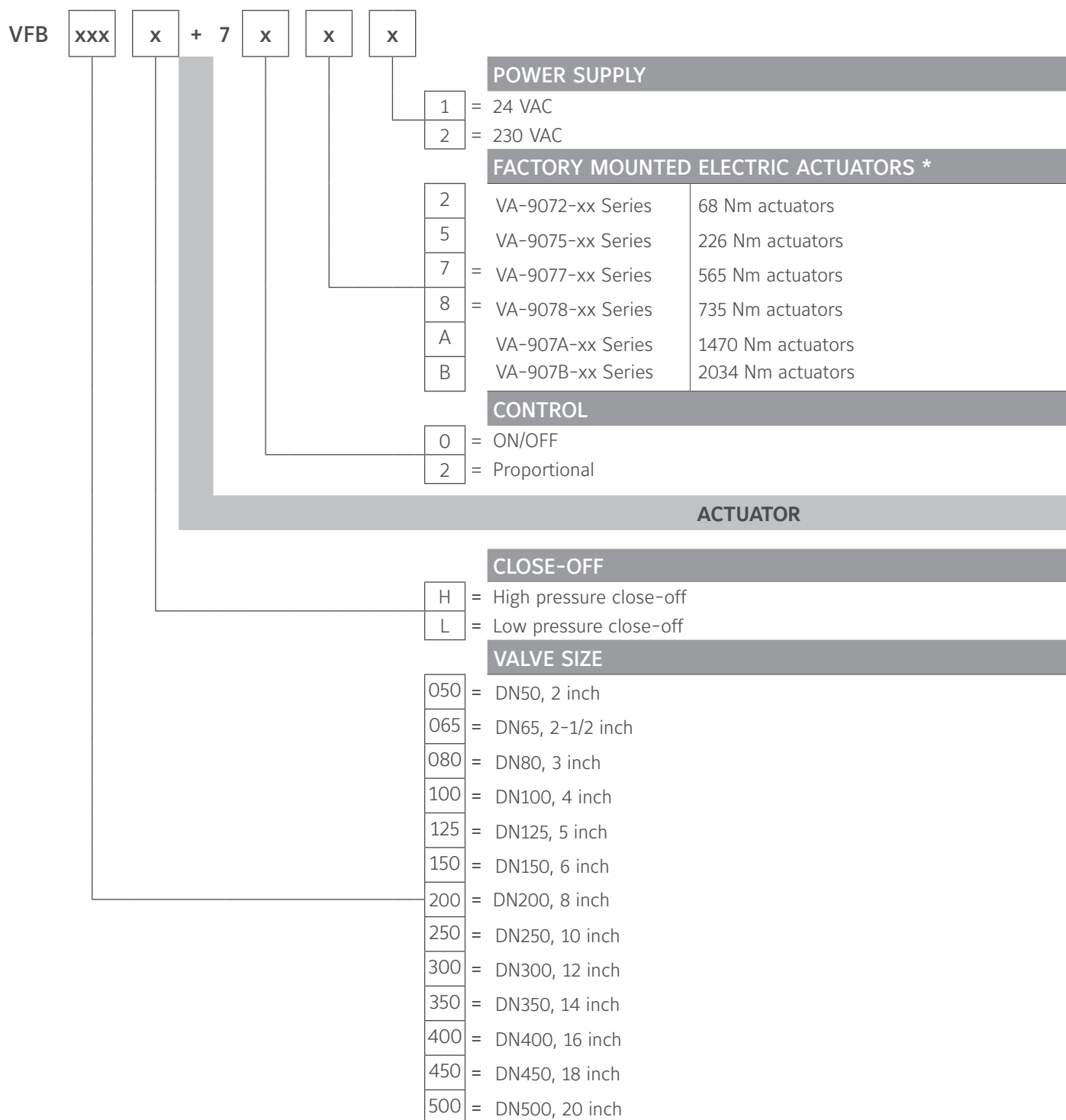


VALVES

VFB BUTTERFLY VALVES - PLANT VALVES

ORDERING CODES

VFB BUTTERFLY VALVES WITH VA-9070 ACTUATORS ASSEMBLY



Note

* See VA-9070 Product Bulletin for more details

VFB BUTTERFLY VALVES - PLANT VALVES



ORDERING INFORMATION

VBF VALVES WITH VA-9070 SERIES ACTUATORS - AVAILABLE COMBINATION

JCI VFB VALVES				ACTUATORS								
				POWER SUPPLY 230 VAC					POWER SUPPLY 24 VAC			
				Torque (Nm)								
				68	226	735	1470	2034	68	226	565	
VALVES CODES	DN	INCHES	MAX CLOSE-OFF PRESSURE (bar)	VA-9072	VA-9075	VA-9078	VA-907A	VA-907B	VA-9072	VA-9075	VA-9077	
VFB050H	50	2	12	■	---	---	---	---	■	---	---	
VFB065H	65	2-1/2	12	■	---	---	---	---	■	---	---	
VFB080H	80	3	12	■	---	---	---	---	■	---	---	
VFB100H	100	4	12	■	---	---	---	---	■	---	---	
VFB125H	125	5	12	■	---	---	---	---	■	---	---	
VFB150H	150	6	12	■	---	---	---	---	■	---	---	
VFB200H	200	8	12	---	■	---	---	---	---	■	---	
VFB250H	250	10	12	---	---	■	---	---	---	---	■	
VFB300H	300	12	10	---	---	■	---	---	---	---	■	
VFB350H	350	14	10	---	---	■	---	---	---	---	---	
VFB400H	400	16	10	---	---	---	■	---	---	---	---	
VFB450H	450	18	10	---	---	---	■	---	---	---	---	
VFB500H	500	20	10	---	---	---	---	■	---	---	---	
VFB100L	100	4	3.5	■	---	---	---	---	■	---	---	
VFB125L	125	5	3.5	■	---	---	---	---	■	---	---	
VFB150L	150	6	3.5	■	---	---	---	---	■	---	---	
VFB200L	200	8	3.5	---	■	---	---	---	---	■	---	
VFB250L	250	10	3.5	---	■	---	---	---	---	■	---	
VFB300L	300	12	3.5	---	---	■	---	---	---	---	■	
VFB350L	350	14	3.5	---	---	■	---	---	---	---	■	
VFB400L	400	16	3.5	---	---	■	---	---	---	---	■	
VFB450L	450	18	3.5	---	---	■	---	---	---	---	■	
VFB500L	500	20	3.5	---	---	■	---	---	---	---	---	

Note

* See VA-9070 Product Bulletin for more details