

LASER & LOW BODY Fan Coil Units

2 & 4 pipe system

A complete range from 0.6 kW up to 9.7 kW



TUC03+ Terminal unit controller
BacNET and N2 Metasys network compatible



**CSL00 (Built in)
CSR00 (Wall mounted)**
Fan speed selector



**CEL00 (Built in)
CER00 (Wall mounted)**
Thermostat with manual fan speed and automatic change over



**CML00 (Built in)
CMR00 (Wall mounted)**
Thermostat with manual fan speed and S/W change over

**CEL20 (Built in)
CER20 (Wall mounted)**
Thermostat with auto. fan speed and automatic change over

**CEL30 (Built in)
CER30 (Wall mounted)**
Thermostat with auto. fan speed and automatic change over for modulating valve

LASER fan coil units are simple and elegant, discreet in their design. High standards of quality and reliability, combined with a wide range of accessories ensure a total solution for all comfort cooling and heating requirements.

LOW BODY units are part of the LASER Fan Coils Units family. The reduced height cabinet makes them the ideal solution for new or replacement applications where dimensional limitations apply.

Features

- 6 speed fan
- Cabinet factory fitted
- Valve factory fitted
- Electrical heater factory fitted
- Thermal or modulating valve
- Service valve
- Option front air intake (LASER)
- Optional plenum (LASER)
- ECM inverter option available
- Option for district cooling coil
- EUROVENT Certified



Selection software

LASER & LOW BODY Fan Coil Units

0.6 to 9.7 kW



Technical features

Model		LASER: YLV, YLV-AF, YLH, YLH-AF, YLIV, YLIV-AF, YLIH, YLIH-AF										
Sizes		110	112	114	216	218	220	222	224	226	328	
Total cooling capacity [kW]	(1)	max	1.11	1.59	2.14	3.30	3.50	4.44	5.07	6.43	7.25	9.73
		med	0.95	1.31	1.88	2.67	2.99	3.68	4.39	5.75	6.67	8.75
		min	0.76	1.07	1.57	2.20	2.46	2.94	3.84	4.62	5.50	6.36
Sensible cooling capacity [kW]	(1)	max	0.93	1.25	1.90	2.46	3.06	3.53	4.42	5.06	5.70	8.04
		med	0.78	0.99	1.64	1.95	2.51	2.84	3.74	4.44	5.18	7.15
		min	0.61	0.79	1.33	1.56	2.00	2.20	3.20	3.45	4.15	5.03
Water flow in cooling [l/h]	(1)	max	191	274	368	568	602	764	873	1107	1248	1675
		med	164	225	324	460	515	633	756	990	1148	1506
		min	131	184	270	379	423	506	661	795	947	1095
Pressure drop in cooling [kPa]	(1)	max	3.4	7.1	5.8	14.8	13.6	24.1	28.4	18.8	21.0	74.6
		med	2.8	5.0	4.6	12.5	9.8	17.4	21.8	15.5	18.1	61.5
		min	2.0	3.4	3.3	8.5	6.7	11.6	17.2	10.5	12.8	30.8
Heating capacity 2 pipes [kW]	(2)	max	1.37	1.83	2.60	3.46	4.17	4.80	6.04	6.60	7.86	10.54
		med	1.13	1.46	2.07	2.90	3.51	3.89	5.11	5.84	7.17	9.64
		min	0.87	1.14	1.70	2.31	2.83	3.01	4.41	4.58	5.76	6.73
Water flow in heating 2 pipes [l/h]	(2)	max	236	315	448	596	718	826	1040	1136	1353	1814
		med	194	251	356	499	604	669	879	1004	1233	1658
		min	150	196	292	397	487	518	759	788	991	1158
Pressure drop in heating 2 pipes [kPa]	(2)	max	4.9	6.0	6.5	14.7	16.0	23.4	27.7	18.9	25.3	82.4
		med	4.6	6.0	5.1	10.5	11.7	16.3	21.1	15.3	21.6	67.7
		min	3.0	4.1	4.0	6.9	8.1	10.8	16.4	10.3	14.9	29.7
Heating capacity 4 pipes [kW]	(3)	max	0.91	1.31	1.93	2.79	3.20	4.33	4.92	6.16	6.30	8.00
		med	0.83	1.13	1.85	2.40	2.81	3.67	4.33	5.55	5.98	7.43
		min	0.71	0.95	1.51	2.06	2.38	2.99	3.84	4.55	5.03	5.83
Water flow in heating 4 pipes [l/h]	(3)	max	78	113	166	240	275	373	423	530	542	688
		med	71	97	159	207	242	316	373	478	515	639
		min	61	82	130	177	205	257	330	391	433	501
Pressure drop in heating 4 pipes [kPa]	(3)	max	1.3	3.4	6.7	14.7	7.1	10.3	11.7	33.0	31.7	46.5
		med	1.1	2.6	5.8	10.5	5.7	7.7	9.5	23.0	28.9	40.6
		min	0.9	1.8	5.2	9.4	4.0	5.4	7.7	16.3	21.4	24.7
Air flow [m ³ /h]		max	243	317	432	606	754	961	1115	1307	1507	2010
		med	181	253	352	488	616	776	928	1106	1318	1687
		min	136	185	279	377	486	594	742	779	986	1107
Sound power level [dB(A)]		max	48	50	54	53	55	54	60	60	63	67
		med	42	45	49	47	50	48	56	55	60	63
		min	36	38	42	40	43	40	50	47	53	52
Sound pressure level [dB(A)]	(4)	max	39	41	45	44	46	45	51	51	54	58
		med	33	36	40	38	41	39	47	46	51	54
		min	27	29	33	31	34	31	40	38	44	43
Power supply [V-ph-Hz]		230 / 1 / 50 + E										
Power input [W]	max	46	48	57	61	76	90	117	140	162	213	
Absorbed current [A]	max	0.21	0.21	0.25	0.27	0.33	0.39	0.52	0.64	0.71	0.95	
Dimensions	Height	mm	538	538	538	538	538	614	614	614	614	614
	Width	mm	648	773	898	1023	1148	1273	1273	1523	1523	1773
	Depth	mm	224	224	224	224	224	254	254	254	254	254

(1) Room temperature 27°C d.b., 19°C w.b. - Water temperature 7/12 °C

(2) Room temperature 20°C - Water inlet temperature: 45/40°C

(3) Room temperature 20°C - Water inlet temperature: 65/55°C.

(4) Sound pressure level in a 100 m³ room, at 1.5 m distance and riverberating time of 0.3 s. max = speed 2, med = speed 3, min = speed 5 when using selection software



Manufacturer reserves the rights to change specifications without prior notice.

LASER & LOW BODY Fan Coil Units

0.6 to 9.7 kW



Technical features

Model		LOW BODY: YLVR, YLIVR					
Sizes		110	112	114	216	218	
Total cooling capacity [kW]	(1)	max	0.98	1.21	1.87	2.74	3.23
		med	0.81	1.02	1.61	2.35	2.81
		min	0.64	0.80	1.37	1.84	2.37
Sensible cooling capacity [kW]	(1)	max	0.90	1.09	1.62	2.32	2.71
		med	0.73	0.92	1.39	1.97	2.34
		min	0.56	0.71	1.15	1.54	1.95
Water flow in cooling [l/h]	(1)	max	166	207	318	519	614
		med	139	175	274	442	531
		min	109	137	233	346	446
Pressure drop in cooling [kPa]	(1)	max	2.5	3.5	8.4	7.1	10.2
		med	1.9	2.6	6.5	5.4	7.9
		min	1.3	1.8	5.0	3.6	5.9
Heating capacity 2 pipes [kW]	(2)	max	1.18	1.53	2.22	3.16	3.78
		med	0.95	1.29	1.9	2.67	3.25
		min	0.76	1.02	1.58	2.18	2.71
Water flow in heating 2 pipes [l/h]	(2)	max	204	265	384	595	717
		med	163	224	328	501	612
		min	130	176	273	405	506
Pressure drop in heating 2 pipes [kPa]	(2)	max	2.5	4.2	9.3	7.3	11.8
		med	1.7	3.2	7.1	5.4	8.9
		min	1.2	2.1	5.2	3.7	6.4
Heating capacity 4 pipes [kW]	(3)	max	1.12	1.79	1.87	2.54	3.83
		med	0.93	1.54	1.65	2.22	3.37
		min	0.77	1.25	1.42	1.89	2.88
Water flow in heating 4 pipes [l/h]	(3)	max	98	157	165	224	338
		med	81	135	145	196	297
		min	68	109	125	167	254
Pressure drop in heating 4 pipes [kPa]	(3)	max	1.8	4.8	6.5	11.8	5.9
		med	1.3	3.7	5.2	9.4	4.7
		min	1.0	2.5	4.0	7.1	3.6
Air flow [m ³ /h]		max	243	317	432	606	754
		med	181	253	352	488	616
		min	136	185	279	377	486
Sound power level [dB(A)]		max	47	50	53	51	55
		med	41	44	49	45	50
		min	34	38	42	39	43
Sound pressure level [dB(A)]	(4)	max	37	40	44	42	46
		med	31	35	39	36	41
		min	25	29	33	29	34
Power supply [V-ph-Hz]		230 / 1 / 50 + E					
Power input [W]	max	46	48	57	61	76	
Absorbed current [A]	max	0.21	0.21	0.25	0.27	0.33	
Dimensions	Height	mm	430	430	430	430	430
	Width	mm	648	773	898	1023	1148
	Depth	mm	254	254	254	254	224

(1) Room temperature 27°C d.b., 19°C w.b. - Water temperature 7/12 °C

(2) Room temperature 20°C - Water inlet temperature: 45/40°C

(3) Room temperature 20°C - Water inlet temperature: 65/55°C.

(4) Sound pressure level in a 100 m³ room, at 1.5 m distance and riverberating time of 0.3 s. max = speed 2, med = speed 3, min = speed 5 when using selection software



Manufacturer reserves the rights to change specifications without prior notice.

Options / Accessories

Compatibility table / Codes

Model	Sizes	LASER										LOW BODY				
		110	112	114	216	218	220	222	224	226	328	110	112	114	216	218
With Cabinet																
YLV-YLH	2/3/4 rows	•	•	•	•	•	•	•	•	•	•	•	•	•	•	•
YLV-YLH/AF Front air intake	2/3/4 rows	•	•	•	•	•	•	•	•	•	•	•	•	•	•	•
YLVR	2/3 rows											•	•	•	•	•
Without Cabinet																
YLIV-YLIH	2/3/4 rows	•	•	•	•	•	•	•	•	•	•	•	•	•	•	•
YLIV-YLIH/AF Front air intake	2/3/4 rows	•	•	•	•	•	•	•	•	•	•	•	•	•	•	•
YLIVR	2/3 rows											•	•	•	•	•
Options (Factory fitted)																
Coil and heaters																
1 row heating	BA1	•	•	•	•	•	•	•	•	•	•	•	•	•	•	•
Kit electrical heater (with relay and safety switch)	KREL	•	•	•	•	•	•	•	•	•	•	•	•	•	•	•
Built in thermostat																
Fan speed selector	CSL00															
Thermostat with manual fan speed and S/W change over	CML00															
Thermostat with manual fan speed, dead band, automatic change over	CEL00															
Thermostat with automatic fan speed, dead band, automatic change over	CEL20															
Thermostat with automatic fan speed, dead band, automatic change over for modulating valve	CEL30															
Parallel connection																
For ON/OFF valve one/FCU	CBL20															
For modulating valve one/FCU	CBL30															
3 way valve factory fitted																
For 2 pipe systems ON/OFF	J3A2 (2p)															
For 4 pipe systems ON/OFF	J3A2 (4p)															
3 way modulating valve factory fitted																
For 2 pipe systems Modulating	J3AM (2p)															
For 4 pipe systems Modulating	J3AM (4p)															
Shut off valves factory fitted																
For 2 pipe systems	DT (2p)															
For 4 pipe systems	DT (4p)															
Condensate pump	PC															
WS sensor change over for CEL/CER	WS															
Minimum temperature thermostat	TM															
Accessories (Supplied loose)																
Remote controllers and thermostat (wall mounted)																
Fan speed selector	CSR00															
Thermostat with manual fan speed and S/W change over	CMR00															
Thermostat with manual fan speed, dead band, automatic change over	CER00															
Thermostat with automatic fan speed, dead band, automatic change over	CER20															
Thermostat with automatic fan speed, dead band, automatic change over for modulating valve	CER30															
Feet and panel (1)																
Set of painted feet	CP1	•	•	•	•	•	•	•	•	•	•	•	•	•	•	•
Set of painted feet + frontal socle	ZL1	•	•	•	•	•	•	•	•	•	•	•	•	•	•	•
Vertical painted back panel	PPV1	•	•	•	•	•	•	•	•	•	•	•	•	•	•	•
Horizontal painted back panel	PPH1	•	•	•	•	•	•	•	•	•	•	•	•	•	•	•
Plenums and air intake (1)																
Air intake plenum	PA	•	•	•	•	•	•	•	•	•	•	•	•	•	•	•
Air intake plenum with collars	PAS	•	•	•	•	•	•	•	•	•	•	•	•	•	•	•
90° air intake plenum	PA90	•	•	•	•	•	•	•	•	•	•	•	•	•	•	•
Air intake duct fitting	RCA	•	•	•	•	•	•	•	•	•	•	•	•	•	•	•
Air delivery plenum with collars	PM	•	•	•	•	•	•	•	•	•	•	•	•	•	•	•
90° air delivery plenum	PM90	•	•	•	•	•	•	•	•	•	•	•	•	•	•	•

(1) for check compatibility with the models of FCU see compatibility table

Dimensions & Weights

YLV & YLH

- ▶ V= vertical
- ▶ H= horizontal

YLV-AF & YLH-AF

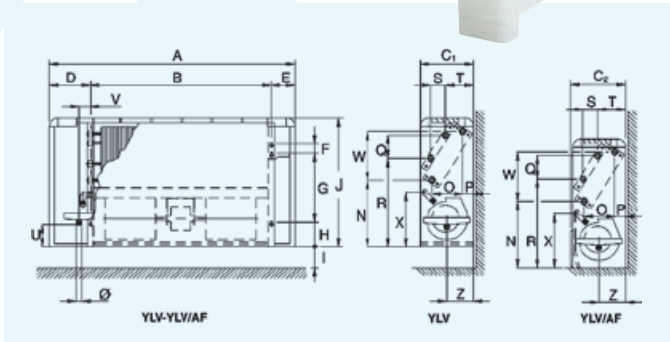
- ▶ AF= front air intake
- ▶ V= vertical
- ▶ H= horizontal

YLV-R

- ▶ R= low body
- ▶ V= vertical

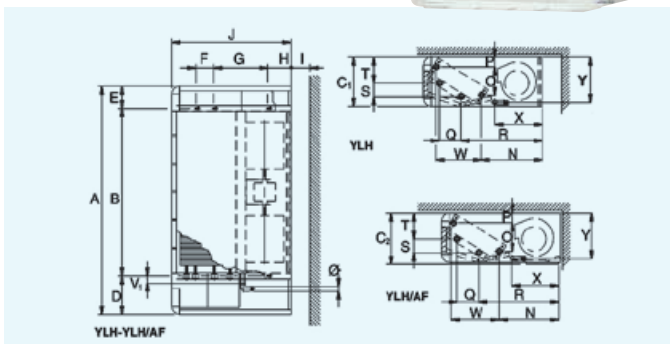
LASER: YLV - YLV/AF

VERTICAL

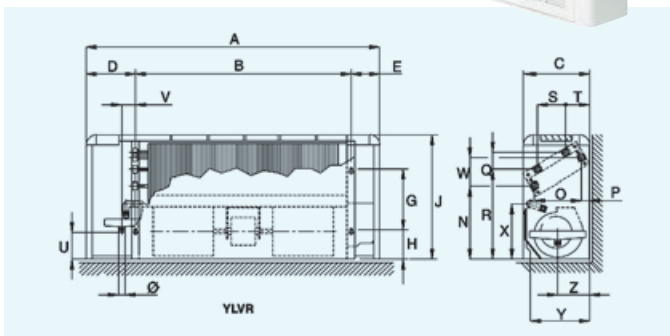


LASER: YLH - YLH/AF

HORIZONTAL



LOW BODY: YLVR



Dim	110	112	114	216	218	220	222	224	226	328
A	648	773	898	1023	1148	1273	1273	1523	1523	1773
B	374	499	624	749	874	999	999	1249	1249	1499
C1	224	224	224	224	224	254	254	254	254	254
C2	233	233	233	233	233	263	263	263	263	263
D	174	174	174	174	174	174	174	174	174	174
E	100	100	100	100	100	100	100	100	100	100
F	40	40	40	40	40	40	40	40	40	40
G	280	280	280	280	280	356	356	356	356	356
H	101	101	101	101	101	101	101	101	101	101
I	85	85	85	85	85	85	85	85	85	85
J	538	538	538	538	538	614	614	614	614	614
N	266	266	266	266	266	299	299	299	299	299
O	113	113	113	113	113	138	138	138	138	138
P	48	48	48	48	48	53	53	53	53	53
Q	87	87	87	87	87	87	87	87	87	87
R	355	355	355	355	355	409	409	409	409	409
S	50	50	50	50	50	50	50	50	50	50
T	117	117	117	117	117	135	135	135	135	135
U	90	90	90	90	90	116	116	116	116	116
V	47	47	47	47	47	47	47	47	47	47
V1	28	28	28	28	28	28	28	28	28	28
W	195	195	195	195	195	238	238	238	238	238
X	219	219	219	219	219	252	252	252	252	252
Y	205	205	205	205	205	235	235	235	235	235
Z	109	109	109	109	109	122	122	122	122	122
Ø	20	20	20	20	20	20	20	20	20	20
kg1	18	20	23	28	31	41	44	52	52	58
kg2	19	21	24	30	32	43	46	54	54	61

Notes: 1=YLV / YLH - 2=YLV/AF / YLH/AF (All dimensions in mm)

Dim	110	112	114	216	218
A	648	773	898	1023	1148
B	374	499	624	749	874
C	254	254	254	254	254
D	174	174	174	174	174
E	100	100	100	100	100
G	170	170	170	170	170
H	101	101	101	101	101
J	430	430	430	430	430
N	245	245	245	245	245
O	154	154	154	154	154
P	31	31	31	31	31
Q	47	47	47	47	47
R	304	304	304	304	304
S	88	88	88	88	88
T	87	87	87	87	87
U	65	65	65	65	65
V	47	47	47	47	47
W	84	84	84	84	84
X	214	214	214	214	214
Z	109	109	109	109	109
Ø	20	20	20	20	20
kg	15	17	22	23	26

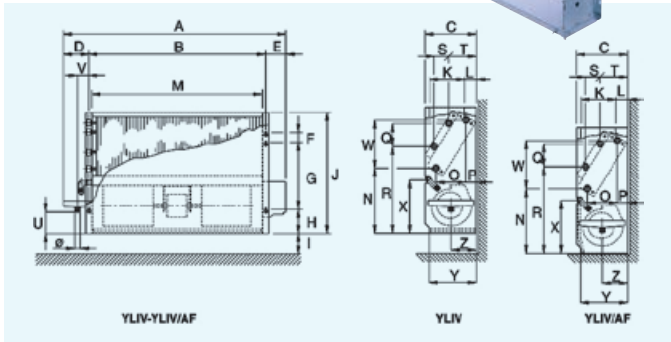
(All dimensions in mm)

Dimensions & Weights

- | | | |
|--|--|--|
| YLIV & YLIH
▸ V= vertical
▸ H= horizontal
▸ l= without cabinet | YLIV-AF & YLIH-AF
▸ AF= front air intake
▸ V= vertical
▸ H= horizontal
▸ l= without cabinet | YLIVR
▸ R= low body
▸ V= vertical
▸ l= without cabinet |
|--|--|--|

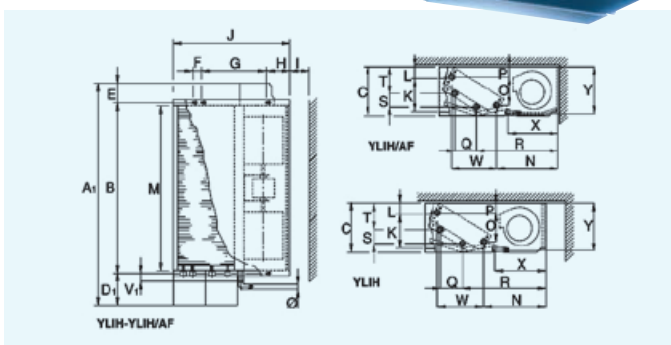
LASER: YLIV - YLIV/AF

VERTICAL

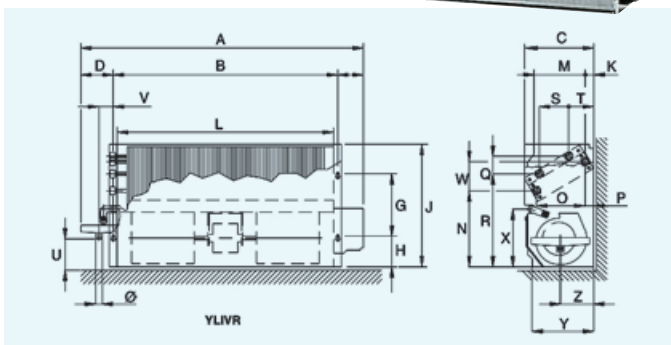


LASER: YLIH - YLIH/AF

HORIZONTAL



LOW BODY: YLIVR



Dim	110	112	114	216	218	220	222	224	226	328
A	555	680	805	930	1055	1180	1180	1430	1430	1680
A 1	574	699	824	949	1074	1199	1199	1449	1449	1699
B	374	499	624	749	874	999	999	1249	1249	1499
C	215	215	215	215	215	245	245	245	245	245
D	109	109	109	109	109	109	109	109	109	109
D 1	128	128	128	128	128	128	128	128	128	128
E	72	72	72	72	72	72	72	72	72	72
F	40	40	40	40	40	40	40	40	40	40
G	280	280	280	280	280	356	356	356	356	356
H	101	101	101	101	101	101	101	101	101	101
I	85	85	85	85	85	85	85	85	85	85
J	505	505	505	505	505	581	581	581	581	581
K	110	110	110	110	110	125	125	125	125	125
L	55	55	55	55	55	60	60	60	60	60
M	349	474	599	724	849	974	974	1224	1224	1474
N	266	266	266	266	266	299	299	299	299	299
O	113	113	113	113	113	138	138	138	138	138
P	48	48	48	48	48	53	53	53	53	53
Q	87	87	87	87	87	87	87	87	87	87
R	355	355	355	355	355	409	409	409	409	409
S	50	50	50	50	50	50	50	50	50	50
T	117	117	117	117	117	135	135	135	135	135
U	90	90	90	90	90	116	116	116	116	116
V	47	47	47	47	47	47	47	47	47	47
V 1	28	28	28	28	28	28	28	28	28	28
W	195	195	195	195	195	238	238	238	238	238
X	219	219	219	219	219	252	252	252	252	252
Y	200	200	200	200	200	230	230	230	230	230
Z	109	109	109	109	109	122	122	122	122	122
Ø	20	20	20	20	20	20	20	20	20	20
kg	10	13	16	19	22	29	31	38	38	42

(All dimensions in mm)

Dim	110	112	114	216	218
A	555	680	805	930	1055
B	374	499	624	749	874
C	230	230	230	230	230
D	108	108	108	108	108
E	73	73	73	73	73
G	170	170	170	170	170
H	101	101	101	101	101
J	395	395	395	395	395
K	61	61	61	61	61
L	349	474	599	724	849
M	127	127	127	127	127
N	245	245	245	245	245
O	154	154	154	154	154
P	31	31	31	31	31
Q	47	47	47	47	47
R	304	304	304	304	304
S	88	88	88	88	88
T	87	87	87	87	87
U	65	65	65	65	65
V	47	47	47	47	47
W	84	84	84	84	84
X	214	214	214	214	214
Y	201	201	201	201	201
Z	109	109	109	109	109
Ø	20	20	20	20	20
kg	9	11	14	16	19

(All dimensions in mm)

LASER & LOW BODY Fan Coil Units

Compatibility tables



**CSL00 (Built in)
CSR00 (Wall mounted)**
Fan speed selector



**CEL00 (Built in)
CER00 (Wall mounted)**
Thermostat with manual fan speed and automatic change over



**CML00 (Built in)
CMR00 (Wall mounted)**
Thermostat with manual fan speed and S/W change over

**CEL20 (Built in)
CER20 (Wall mounted)**

Thermostat with auto. fan speed and automatic change over

**CEL30 (Built in)
CER30 (Wall mounted)**
Thermostat with auto. fan speed and automatic change over for modulating valve

Features CEL/CER

- Dead band for change over 5°C or 2°C (factory set 2°C)
- Manual fan speeds or automatic (models 20 and 30)
- Thermostated fan control or continuous fan running
- Option water sensor WS for change over on coil (for 2 pipes)
- Led indicated status summer, winter or dead band
- Temperature setting for 7 to 30°C (comfort 20–25°C)
- Plastic pins for limiting temperature range
- Input for window contact
- Input for Economy/ occupancy mode
- Output for remote alarm
- Filter alarm 600 or 1200 running hours (factory set 1200 hours)
- With electrical heater post ventilation
- With Air sensor in the air intake destratification function (CEL only)

Compatibility table Thermostats / Valves / Heaters / Parallel connection / Water sensor / Minimum temperature thermostat

Factory fitted thermostat (built in)	Valves for 2 pipes		Valves for 4 pipes		Heaters KREL	Parallel connection		Water sensor WS	Min. Temp. Thermostat TM
	J3A2 (2p)	J3AM (2p)	J3A2 (4p)	J3AM (4p)		ON/OFF CBL20	Modulating CBL30		
CSL00 Fan speed selector						•			•
CML00 Thermostat with manual fan speed and S/W change over	•		•			•			•
CEL00 Thermostat with manual fan speed, dead band, automatic change over	•		•		•	•		•	•
CEL20 Thermostat with automatic fan speed, dead band, automatic change over	•		•		•	•		•	•
CEL30 Thermostat with automatic fan speed, dead band, automatic change over for modulating valve		•		•			•	•	•
Remote controllers and thermostats (wall mounted)									
CSR00 Fan speed selector						•			•
CMR00 Thermostat with manual fan speed and S/W change over	•		•			•			•
CER00 Thermostat with manual fan speed, dead band, automatic change over	•		•		•	•		•	•
CER20 Thermostat with automatic fan speed, dead band, automatic change over	•		•		•	•		•	•
CER30 Thermostat with automatic fan speed, dead band, automatic change over for modulating valve		•		•			•	•	•

• Compatible Not compatible

LASER & LOW BODY Fan Coil Units

Compatibility tables



Compatibility Options / Accessories / Models

		STANDARD								LOW BODY	
		LASER				CONCEALED				YLVR	YLIVR
Code	Designation	YLV	YLH	YLV-AF	YLH-AF	YLIV	YLIV-AF	YLIH	YLIH-AF	YLVR	YLIVR
Coils and heaters**											
BA1**	Additional 1 row heating	•	•	•	•	•	•	•	•	•	•
KREL**	Kit electrical heater with safety thermostat and relay	•	•	•	•	•	•	•	•		
Factory fitted thermostat (built in)											
CSL00	Fan speed selector (built in)	•		•		•		•		•	•
CML00	Thermostat with manual fan speed and S/W change over	•		•		•		•		•	•
CEL00	Thermostat with manual fan speed, dead band, automatic change over	Compatible with electrical heaters								•	•
CEL20	Thermostat with automatic fan speed, dead band, automatic change over	Compatible with electrical heaters								•	•
CEL30	Thermostat with automatic fan speed, dead band, automatic change over for modulating valves	•		•		•		•		•	•
CBL20	Parallel connection for ON/OFF valve	•	•	•	•	•	•	•	•	•	•
CBL30	Parallel connection for modulating valve	•	•	•	•	•	•	•	•	•	•
Remote controllers and thermostats (wall mounted)											
CSR00	Fan speed selector (wall mounted)	•	•	•	•	•	•	•	•	•	•
CMR00	Thermostat with manual fan speed and S/W change over	•	•	•	•	•	•	•	•	•	•
CER00	Thermostat with manual fan speed, dead band, automatic change over	Compatible with electrical heaters								•	•
CER20	Thermostat with automatic fan speed, dead band, automatic change over	Compatible with electrical heaters								•	•
CER30	Thermostat with automatic fan speed, dead band, automatic change over for modulating valves	•	•	•	•	•	•	•	•	•	•
Valves / Condensate pump / Water sensor / Minimum temperature thermostat (Factory fitted)											
J3A2 (2p)	3-way 4-ports on/off valves for 2-pipe systems	•	•	•	•	•	•	•	•	•	•
J3A2 (4p)	3-way 4-ports on/off valves for 4-pipe systems	•	•	•	•	•	•	•	•	•	•
J3AM (2p)	3-way 4-ports modulating valves for 2-pipe systems	•	•	•	•	•	•	•	•	•	•
J3AM (4p)	3-way 4-ports modulating valves for 4-pipe systems	•	•	•	•	•	•	•	•	•	•
DT (2p)	Shut-off valves for 2-pipe systems (in addition to J3A2/J3AM valves)	•	•	•	•	•	•	•	•	•	•
DT (4p)	Shut-off valves for 4-pipe systems (in addition to J3A2/J3AM valves)	•	•	•	•	•	•	•	•	•	•
PC	Condensate pump	•	•	•	•	•	•	•	•	•	•
WS	Water sensor	Compatible with CEL/CER									
TM	Minimum temperature thermostat	•	•	•	•	•	•	•	•	•	•
Feet and panels											
CP1	Set of painted feet	•				•					
ZL1	Set of feet + frontal socle	•									
PPV1	Vertical painted back panel	•		•						•	
PPH1	Horizontal painted back panel		•		•						
External air intake											
PA	Air intake plenum							•			
PAS	Air intake plenum collars							•			
PA90	90° air intake plenum							•			
RCA	Air intake duct fitting							•			
PM	Air delivery plenum with collars					•	•	•	•		•
PM90	90° air delivery plenum					•	•	•	•		•

- Compatible
- ◻ Compatible with conditions
- ◻ Not compatible

** Maximum of rows is indicated in the documentation, the maximum number of rows includes the heating row or electrical heater.

LASER ECM and LOW BODY ECM

0.6 to 9.2 kW



Technical features

Model		LASER ECM							LOW BODY ECM			
Sizes	(*)	512	514	516	520	522	524	528	512	514	516	
Total cooling capacity [kW]	(1)	max ...v	1.98	2.56	3.81	5.05	5.81	7.47	9.18	1.56	2.37	3.40
		med ...v	1.43	1.81	2.53	3.86	4.42	5.64	6.94	1.18	1.78	2.34
		min ...v	0.74	0.93	1.51	2.72	3.05	4.07	4.89	0.61	1.29	1.53
Sensible cooling capacity [kW]	(1)	max	1.65	2.12	3.14	3.79	4.32	6.09	7.51	1.42	2.09	2.93
		med	1.16	1.48	2.01	2.78	3.16	4.42	5.50	1.04	1.54	1.96
		min	0.54	0.78	1.21	1.92	2.11	3.13	3.74	0.53	1.09	1.25
Water flow in cooling [l/h]	(1)	max	341	441	656	869	1000	1286	1580	265	404	644
		med	246	312	435	664	761	971	1194	200	304	440
		min	127	160	260	468	525	701	842	104	220	286
Pressure drop in cooling [kPa]	(1)	max	9.6	9.2	14.6	16.9	36.2	16.8	31.3	8.2	12.6	10.3
		med	5.4	4.8	8.5	10.6	22.0	10.0	18.5	5.1	7.8	5.4
		min	1.7	1.6	3.9	5.6	11.1	5.5	9.7	1.8	4.5	2.6
Heating capacity 2 pipes [kW]	(2)	max	2.05	3.04	4.40	5.76	6.53	8.43	10.4	2.07	2.85	4.00
		med	1.47	2.18	3.05	4.44	4.84	6.22	7.67	1.50	2.09	2.66
		min	0.78	1.15	1.87	3.11	3.37	4.50	5.38	0.8	1.49	1.77
Water flow in heating 2 pipes [l/h]	(2)	max	353	523	757	991	1124	1451	1790	358	495	763
		med	253	375	525	757	833	1071	1320	260	362	499
		min	134	198	322	535	580	775	926	138	258	325
Pressure drop in heating 2 pipes [kPa]	(2)	max	10.8	10.3	17.3	21.8	40.0	17.2	32.2	9.7	14.4	11.2
		med	6.0	5.5	8.6	13.0	23.5	9.8	18.0	5.6	8.4	5.3
		min	2.0	2.0	4.2	6.6	11.5	5.3	9.0	1.9	4.7	2.6
Heating capacity 4 pipes [kW]	(3)	max	1.84	2.39	3.20	5.00	5.55	6.46	7.90	2.19	2.29	3.06
		med	1.37	1.76	2.40	4.12	4.35	5.19	6.30	1.66	1.78	2.22
		min	0.87	1.09	1.77	3.22	3.29	4.09	4.94	0.97	1.36	1.60
Water flow in heating 4 pipes [l/h]	(3)	max	158	206	275	430	478	556	680	194	201	271
		med	118	151	207	355	374	447	542	146	157	196
		min	75	94	152	277	283	352	425	84	119	141
Pressure drop in heating 4 pipes [kPa]	(3)	max	4.7	9.3	15.6	23.3	21.5	36.0	46.2	6.9	9.2	16.5
		med	2.8	5.4	11.0	15.9	14.0	24.2	30.7	4.2	6.0	9.3
		min	1.2	2.4	5.6	9.8	7.7	15.4	19.5	1.0	3.7	5.3
Air flow [m ³ /h]		max	456	574	792	1082	1304	1567	1995	437	608	833
		med	298	373	489	757	904	1080	1370	284	400	486
		min	138	170	287	504	568	715	876	129	259	290
Sound power level [dB(A)]		max	55	59	60	57	62	63	69	55	53	56
		med	44	48	47	48	51	53	59	42	42	44
		min	29	29	33	37	39	43	48	30	33	30
Sound pressure level [dB(A)]	(4)	max	46	50	51	48	53	54	60	46	44	46
		med	35	39	38	37	42	44	50	33	32	34
		min	21	21	24	26	30	34	39	20	24	20
Power supply [V-ph-Hz]		230 / 1 / 50 + E										
Power input [W]	max	31	54	42	46	76	89	168	35	60	38	
	Height mm	623	623	623	699	699	699	699	395	395	395	
Dimensions	Width mm	773	898	1023	1273	1273	1523	1773	680	805	930	
	Depth mm	224	224	224	254	254	254	254	230	230	230	

(1) Room temperature 27°C d.b., 19°C w.b. - Water temperature 7/12 °C

(2) Room temperature 20°C - Water inlet temperature: 45/40°C

(3) Room temperature 20°C - Water inlet temperature: 65/55°C.

(4) Sound pressure level in a 100 m³ room, at 1.5 m distance and reverberating time of 0.3 s.

(*) 512 - 514 (3v-6v-9v)

(*) 516 (2v-5v-10v)

(*) 520 - 522 - 524 - 528 (3v-6v-10v)



Manufacturer reserves the rights to change specifications without prior notice.



LASER ECM and LOW BODY ECM

Compatibility tables

Compatibility Options / Accessories / Models

		STANDARD								LOW BODY-ECM	
		LASER-ECM				CONCEALED-ECM				YLVLR	YLIVR
Code	Designation	YLV	YLH	YLV-AF	YLH-AF	YLIV	YLIH	YLIV-AF	YLIH-AF		
Coils and heaters**											
BA1**	Additional 1 row heating	•	•	•	•	•	•	•	•	•	•
KREL**	Kit electrical heater with safety thermostat and relay	•	•	•	•	•	•	•	•		
Factory fitted thermostat (built in)											
EDCL	Microprocessor control for ECM units	•		•		•		•		•	•
OBV11-ODC711	Omnibus control for ECM units + Analogue Plus console	•		•		•		•		•	•
OBV11-ODC211	Omnibus control for ECM units + Display console	•		•		•		•		•	•
Remote controllers and thermostats (wall mounted)											
EDCR	Microprocessor control for ECM units, for wall installation	•	•	•	•	•	•	•	•	•	•
OBV10+ODC716	Omnibus control for ECM units + Remote Analogue Plus console	•	•	•	•	•	•	•	•	•	•
OBV10+ODC216	Omnibus control for ECM units + Remote Display console	•	•	•	•	•	•	•	•	•	•
Valves / Condensate pump / Water sensor / Minimum temperature thermostat (Factory fitted)											
J3A2 (2p)	3-way 4-ports on/off valves for 2-pipe systems	•	•	•	•	•	•	•	•	•	•
J3A2 (4p)	3-way 4-ports on/off valves for 4-pipe systems	•	•	•	•	•	•	•	•	•	•
J3AM (2p)	3-way 4-ports modulating valves for 2-pipe systems	•	•	•	•	•	•	•	•	•	•
J3AM (4p)	3-way 4-ports modulating valves for 4-pipe systems	•	•	•	•	•	•	•	•	•	•
DT (2p)	Shut-off valves for 2-pipe systems (in addition to J3A2/J3AM valves)	•	•	•	•	•	•	•	•	•	•
DT (4p)	Shut-off valves for 4-pipe systems (in addition to J3A2/J3AM valves)	•	•	•	•	•	•	•	•	•	•
PC	Condensate pump	•	•	•	•	•	•	•	•	•	•
WS	Water sensor	Compatible with all the above listed controllers									
Feet and panels											
CP1	Set of painted feet	•				•					
ZL1	Set of feet + frontal socle	•									
PPV1	Vertical painted back panel	•		•						•	
PPH1	Horizontal painted back panel		•		•						
External air intake											
PA	Air intake plenum						•				
PAS	Air intake plenum collars						•				
PA90	90° air intake plenum						•				
RCA	Air intake duct fitting						•				
PM	Air delivery plenum with collars					•	•	•	•		•
PM90	90° air delivery plenum					•	•	•	•		•

- Compatible
 - Compatible with conditions
 - Not compatible
- ** Maximum of rows is indicated in the documentation, the maximum number of rows includes the heating row or electrical heater.