

YVWA Water-cooled VSD screw chiller

Cooling capacities from 451 kW to 1403 kW

At Eurovent Standard Conditions this equipment meets A Class energy efficiency levels.



Compatible range



Features

Our newest water-cooled chiller offers the following benefits:

Premium efficiency

The **YVWA** reduces operating expenses with the application of a standard variable speed drive.

Application flexibility

Tailor and tune flexibility makes the **YVWA** ideal for any application from thermal storage to heat pump duty.

Enhanced sustainability

Achieved through high efficiency operation and low refrigerant charges.

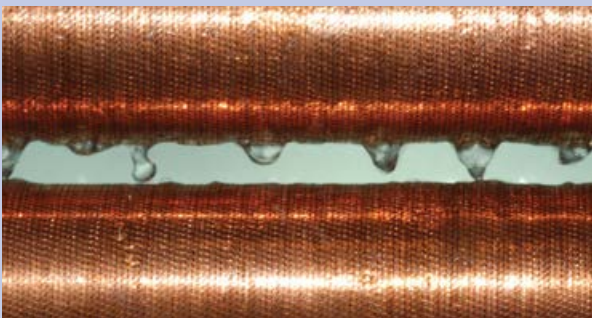
Product confidence

Improve your peace of mind knowing our experience stands behind every chiller.

Options / Accessories

- BMS Interfacing options
- Different options of tubes and nozzle arrangements for the heat exchangers.
- Dual pressure relief valve
- Several options for flow switches
- Thermal insulation options
- Anti-vibration mounts options

Photo courtesy of the ITCM lab of the Ecole Polytechnique Fédérale de Lausanne, Switzerland



Reduce refrigerant charges by up to 15% beyond traditional chiller designs with the YVWA's falling film evaporator design.



The YVWA chiller can efficiently handle the high condenser pressure required for dry cooling.

Photo courtesy of Baltimore Air Coil

Water-cooled VSD screw chiller

YVWA



Application flexibility (*) example of selections

Model	YVWABBBBFX	YVWACDCDFX	YVWABBBBGX	YVWACDCDGX	YVWAM2M2EE	YVWAM2MCEE	YVWAMBMCCE
Cooling capacity (kW)	451	525	575	650	700	750	800
EER 100%	5	5.41	4.72	5.14	4.81	5.13	5.3
SEER	6.68	7.05	6.79	7.46	6.49	6.83	7.08
ηs, c	259	274	264	291	251	265	275

Model	YVWAMDMCFE	YVWAMDMDFE	YVWAMDMEFE	YVWAMEMEFF	YVWANENEFF	YVWAUDUDGF	YVWAUEUEGG
Cooling capacity (kW)	850	900	950	1000	1070	1224.0	1403
EER 100%	5.39	5.35	5.32	5.3	5.33	5.5	5.43
SEER	7.15	7.20	7.30	7.23	7.25	7.63	7.69
ηs, c	278	280	284	281	282	297	300

Net values at Eurovent nominal conditions for models using R134a: Cooling capacities in kW given for entering / leaving chilled water temperature 12/7 °C condenser water 30/35 °C SEER calculated according to EN14511

ηs calculated according to Ecodesign regulation for chillers comfort cooling (813/2013). For other Ecodesign calculations, please contact your JCI representative.

(*) The taylor and tune models allow over 7000 component combinations in stepless selection capacities / operating conditions. Specific selections may achieve an operating envelope of -10 to + 16 °C evaporator liquid and from 18 to 65 °C condenser liquid. Models are using selected components from the quick ship program.

The table above shows only a representative sample of performance points based on generic project operating conditions working with R134a refrigerant.

For R513a information contact your JCI Representative.

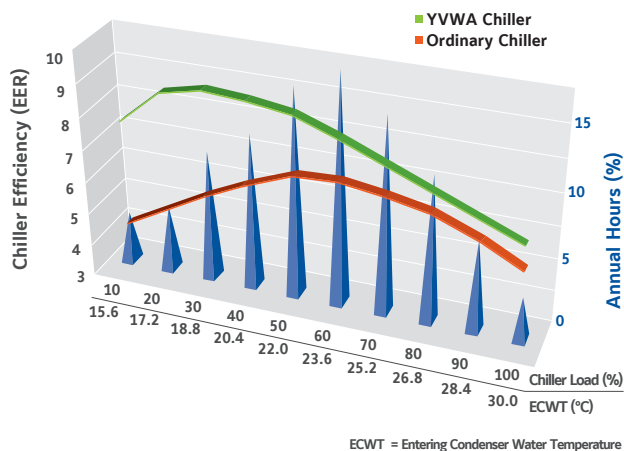
The above data is based on Johnson Control's selection software YORKworks 18.06. Please refer to the latest version of the software for specific projects

Technical data

Model	YVWABBBBFX	YVWACDCDFX	YVWABBBBGX	YVWACDCDGX	YVWAM2M2EE	YVWAM2MCEE	YVWAMBMCCE	
Compressors / Circuite(s)	1	1	1	1	2	2	2	
Dimensions	Length	mm	3110	3571	3110	3720	4390	4390
	Width	mm	1413	1413	1413	1413	1405	1405
	Height	mm	1846	1846	1846	1846	1824	1824
Operating weight (kg)	3692	4169	3822	4299	5701	5884	6032	
Refrigerant charge (kg)	127	153	137	163	250	250	250	

Model	YVWAMDMCFE	YVWAMDMDFE	YVWAMDMEFE	YVWAMEMEFF	YVWANENEFF	YVWAUDUDGF	YVWAUEUEGG	
Compressors / Circuite(s)	2	2	2	2	2	2	2	
Dimensions	Length	mm	4390	4390	4390	5000	4875	4875
	Width	mm	1405	1405	1405	1405	1730	1730
	Height	mm	1824	1824	1824	1824	1999	1999
Operating weight (kg)	6265	6315	6421	6540	7052	9393	9746	
Refrigerant charge (kg)	255	255	255	260	300	430	440	

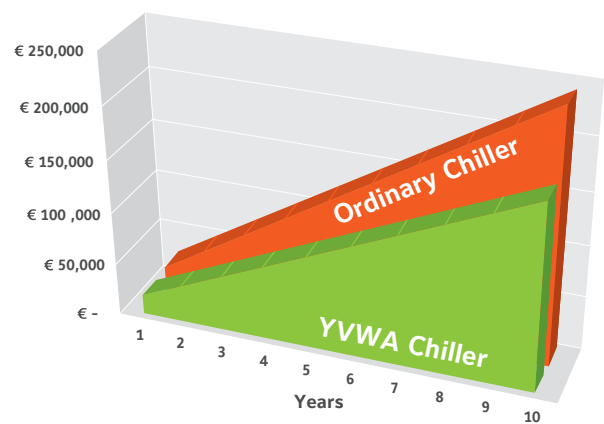
YVWA Efficiency vs. Ordinary Chiller



ECWT = Entering Condenser Water Temperature

The YVWA chiller delivers superior energy performance at all operating hours.

YVWA Energy Cost vs. Ordinary Chiller



Note: 3,500 operating hours, 0.10 EUR/kWh energy rate, 800 kW design cooling load

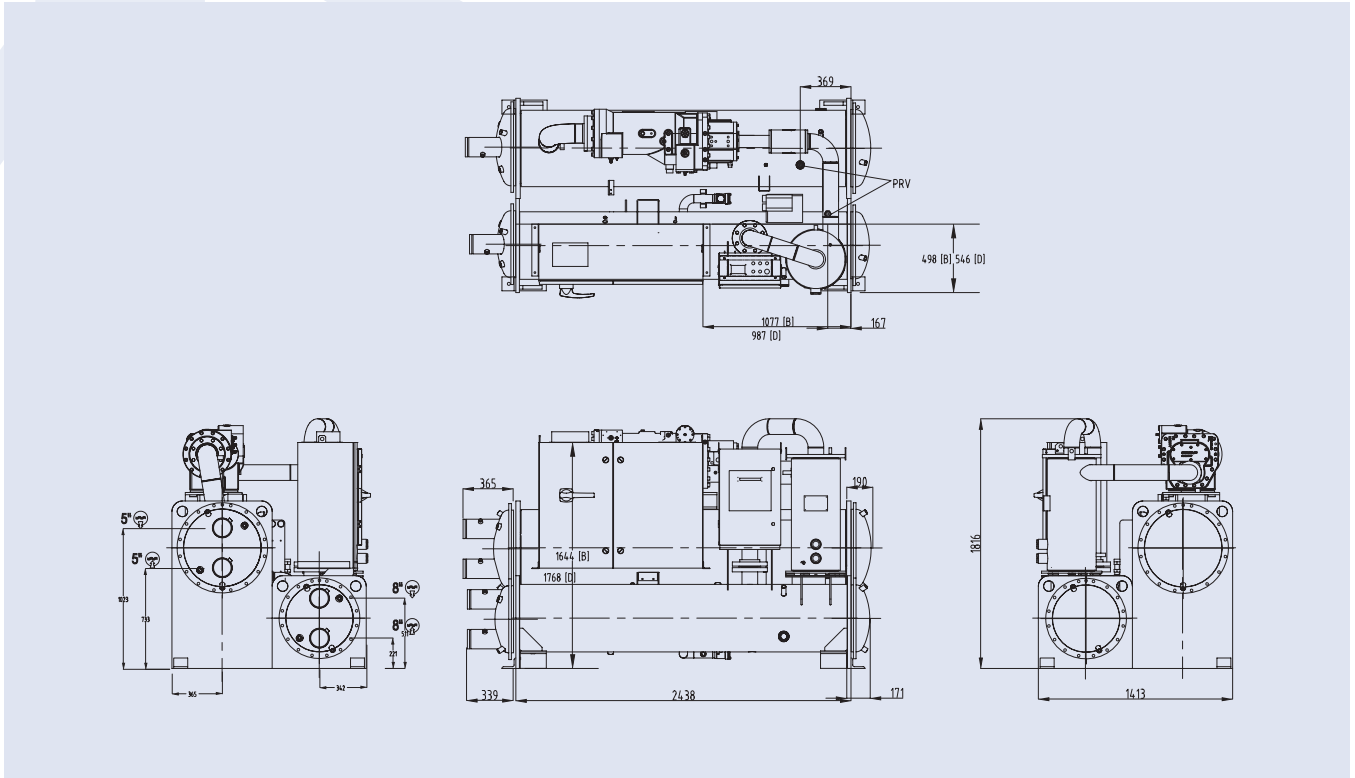
An investment in an optimized YVWA chiller reduces energy costs by 25%.



Manufacturer reserves the rights to change specifications without prior notice.

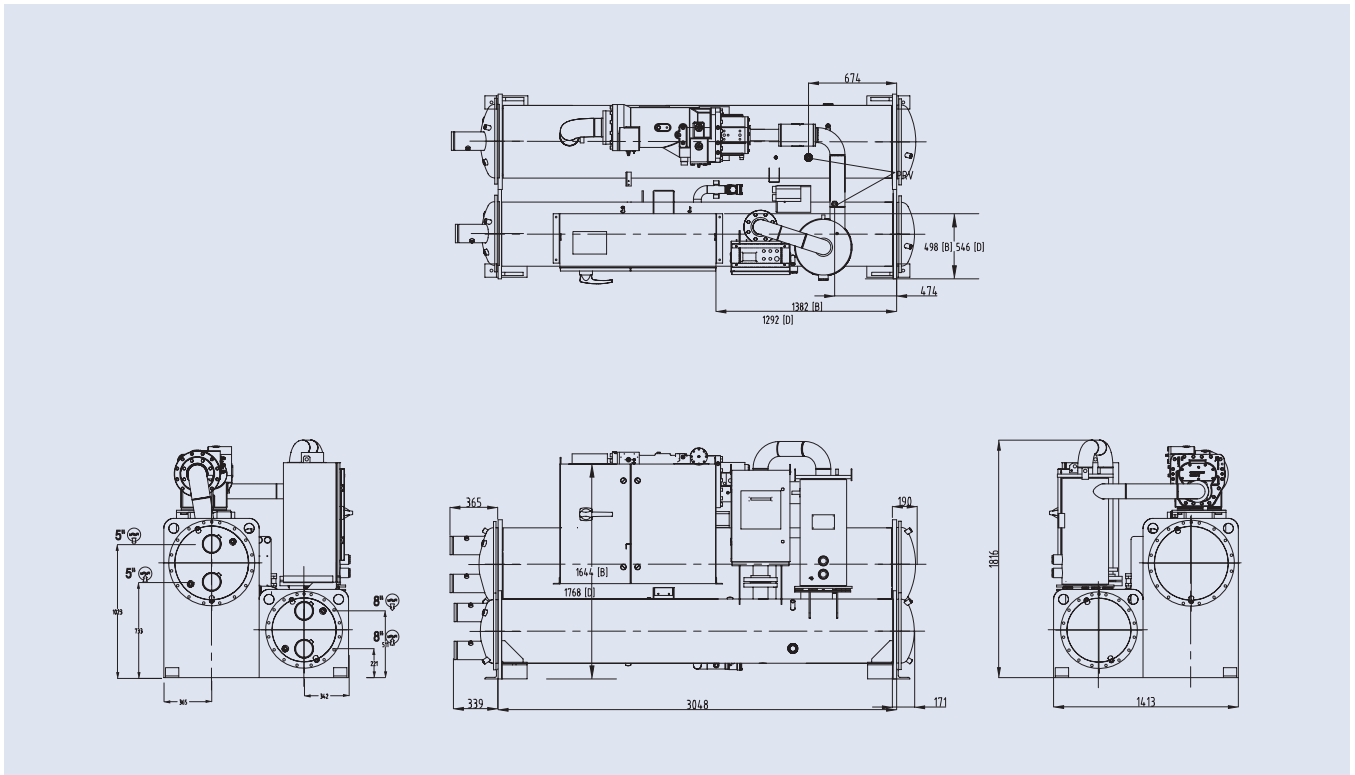
Dimensions and hydraulic connections

YVWA B models



All dimensions in mm. Drawings not a scale.

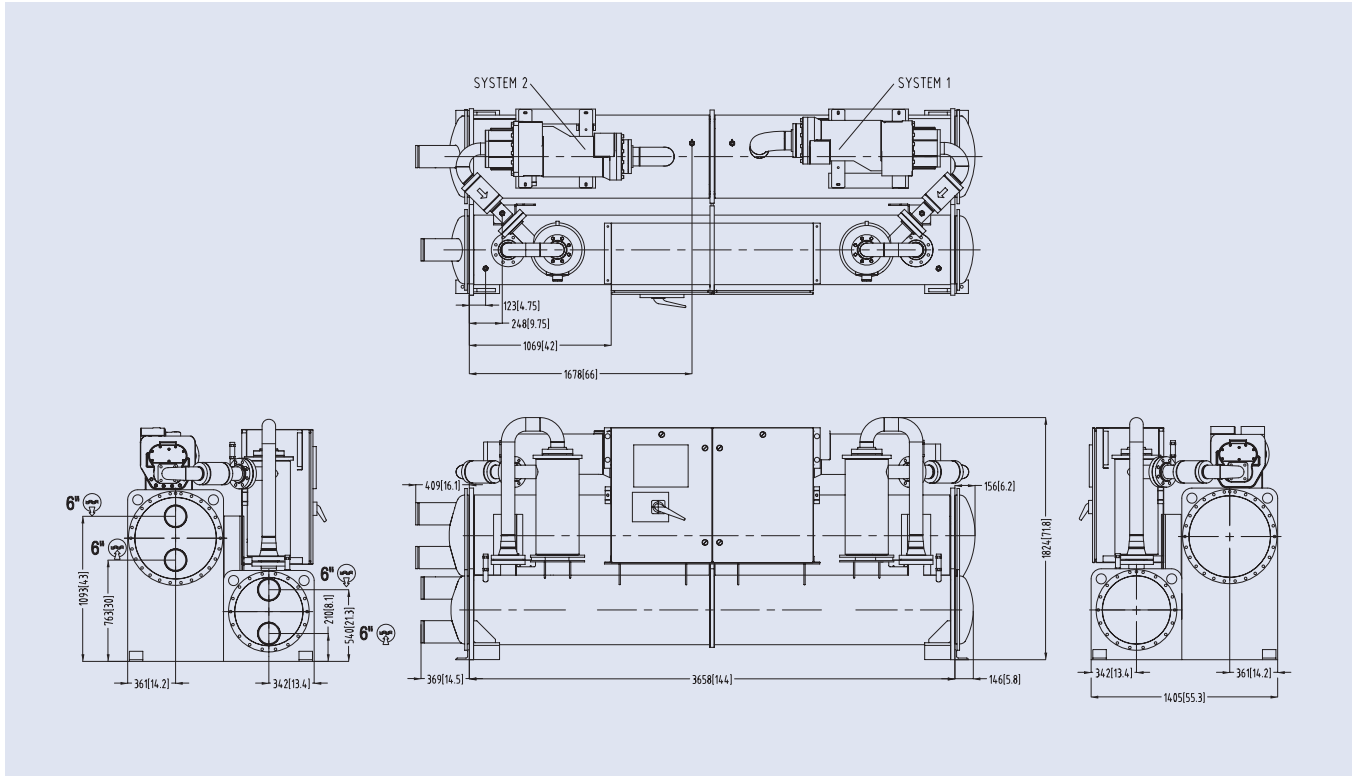
YVWA C models



All dimensions in mm. Drawings not a scale.

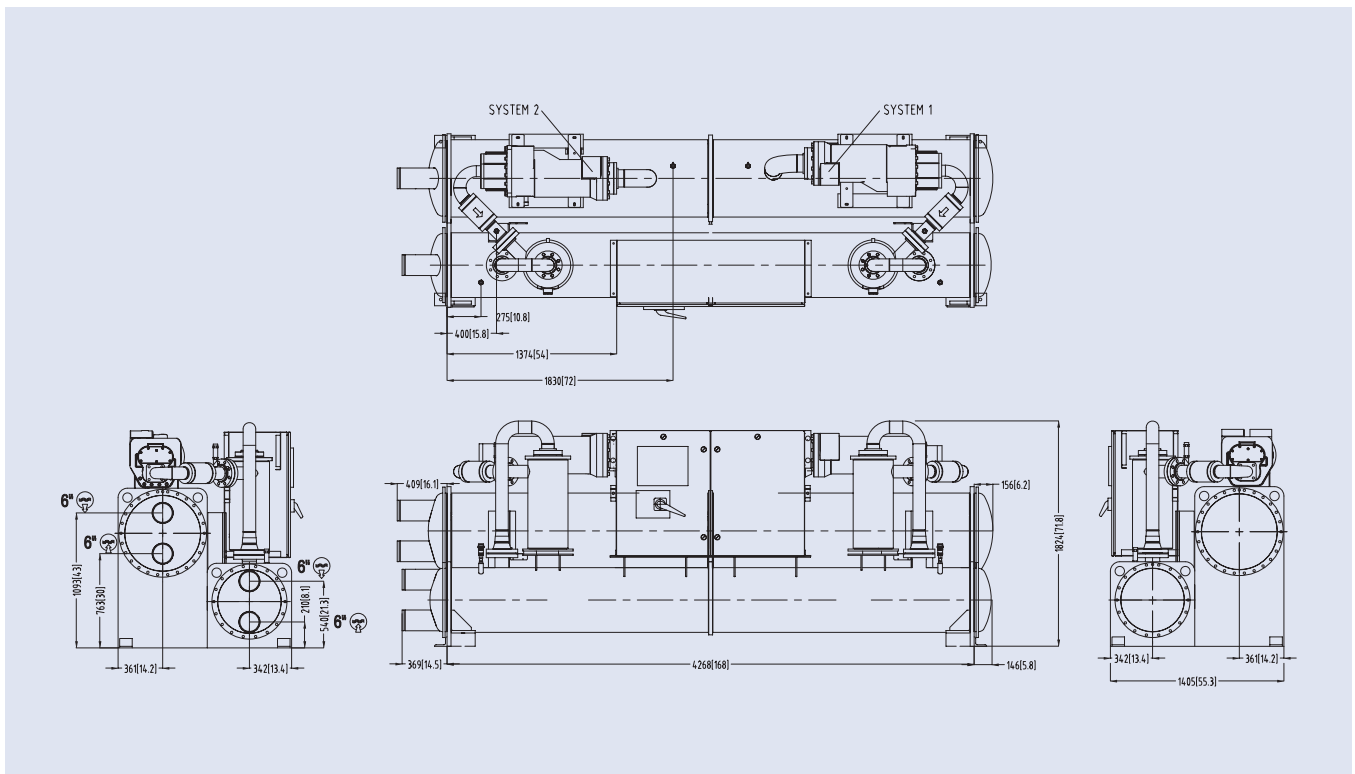
Dimensions and hydraulic connections

YVWA M models



All dimensions in mm. Drawings not a scale.

YVWA N models



All dimensions in mm. Drawings not a scale.