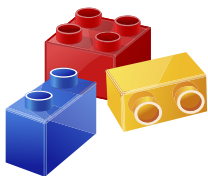


YCME / YHME Series 2 Modular screw chillers and heat pumps

YCME/YHME 0162HE to 0222HE
A complete range from 160 kW up to 224 kW



Modular concept

Provide flexibility and achieve reliability

Up to 8 modules in one water system brings important benefits.

Achieve reliability

Full redundancy – Safety first. Should a module fail, the remaining modules maintain operational continuity.

Example of module configurations



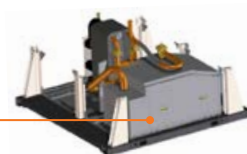
Fully configurable units

Increase the versatility

Up to 60 different options and accessories make our chiller as unique as the project needs.

Some of the most interesting are:

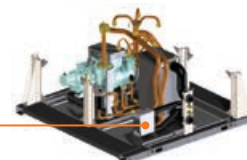
Sound attenuation
compressor enclosure



Dual pump option



Heat recovery option



Modular screw chillers and heat pumps

YCME/YHME 0162HE to 0222HE



YCME Air-cooled Chiller Performance Data

Individual modules		YCME0162HE	YCME0182HE	YCME0202HE	YCME0222HE
Cooling capacity	kW	159.6	179.6	204.5	224.4
Total power input	kW	51.32	57.75	65.34	71.01
SEER		4.11	4.13	4.12	4.12
η_s, c		161	162	162	162
Sound power level	dB(A)	96	97	98	99
Dimensions (H x W x D)	mm	2450 x 1955 x 2290		2450 x 1955 x 3230	
Operating weight	kg	1300	1340	1590	1680
Chilled Water Outlet (std, options Low / High)	°C	+5°C ~ +15°C, with Options -10°C ~ +5°C / +15°C ~ +30°C			
Ambient Air Temperature	°C	-15°C ~ +46°C			
Electrical Power Supply		3N - 400V 50Hz			

YHME Air-cooled Heat Pump Performance Data

Individual modules		YHME0162HE	YHME0182HE	YHME0202HE	YHME0222HE
Cooling capacity	kW	149.7	169.6	194.6	209.5
Total power input	kW	51.09	57.88	65.97	70.3
Heating capacity	kW	145.4	145.4	185.5	185.5
Total power input	kW	51.56	51.56	65.32	65.32
SCOP		Meet Ecodesign requirements			
η_s, h					
Sound power level	dB(A)	96	97	98	99
Dimensions (H x W x D)	mm	2450 x 1955 x 2290		2450 x 1955 x 3230	
Operating weight	kg	1400	1420	1680	1760
Chilled Water Outlet (std, options Low / High)	°C	+5°C ~ +15°C, with Options -10°C ~ +5°C / +15°C ~ +30°C			
Heated Water Outlet	°C	+35°C ~ +55°C			
Ambient Air Temperature (Cool / Heat)	°C	-15°C ~ 46°C / -9.5 (DB), -10 (WB) ~ +21 (DB), +15.5 (WB)			
Electrical Power Supply		3N - 400V 50Hz			

Net values at Eurovent nominal conditions:

Cooling capacities in kW given for 7°C water leaving temperature Δt 5°C and 35°C ambient temperature.

Heating capacities in kW given for 45°C water leaving temperature and 7°C ambient temperature.

Ecodesign figures are calculated following variable outlet approach.

For Ecodesign calculations, please contact your JCI representative.

Sound Pressure: measured at 1.5m height, and at 1m distance from the control panel.

The above data is based on Johnson Control's selection software YORKworks 18.06. Please refer to the latest version of the software for specific projects.



Widest operating range at highest efficiency

YCME/YHME Cooling operating range

Chilled water outlet temperature: -10°C to +30°C

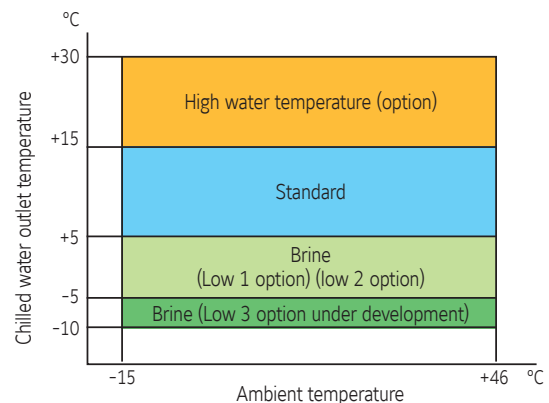
Ambient temperature: -15°C to +46°C

YHME Heating operating range

Hot water outlet temperature: +35°C to +55°C

Ambient temperature: -10°C (WB) to +15.5°C (WB)

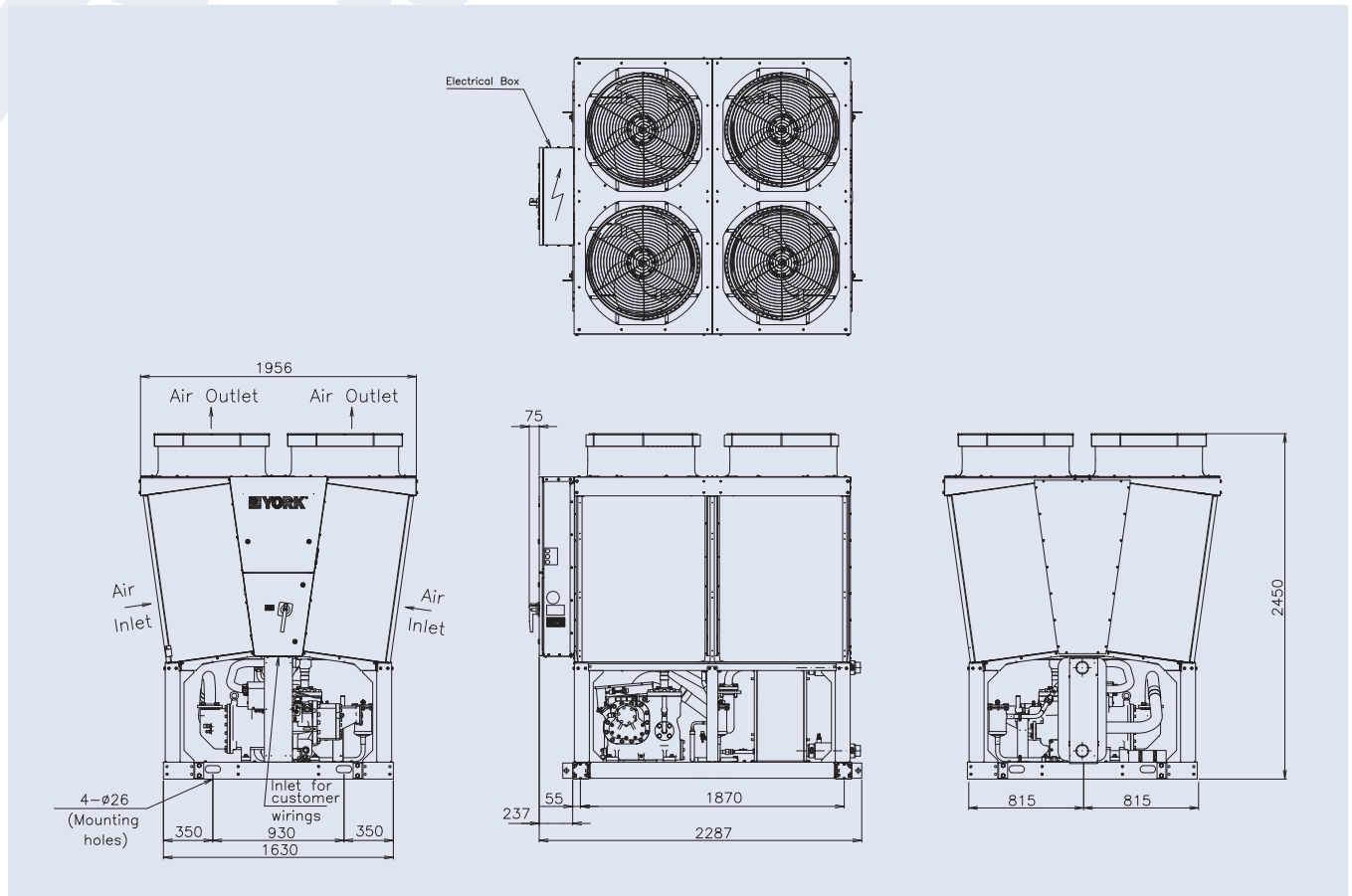
Two operating modes selectable at commissioning allow the installation's performance to focus on either high efficiency or high accuracy outlet water temperature.



Manufacturer reserves the rights to change specifications without prior notice.

Dimensions and hydraulic connections

YCME/YHME 0162-0182



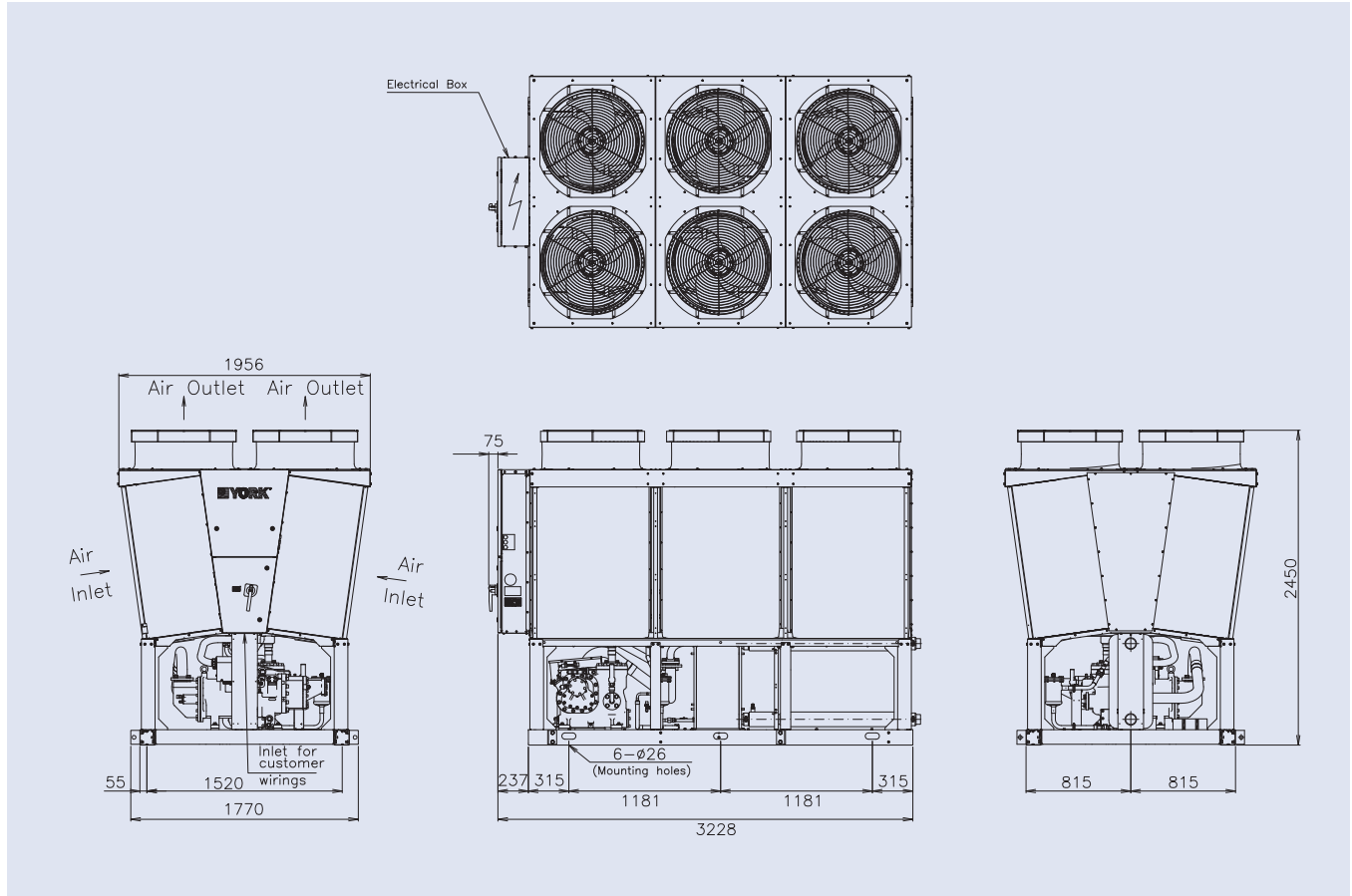
All dimensions in mm. Drawings not a scale.

Size	Hydraulic connections
YCME/YHME 0162-0182	2" 1/2 Victaulic Ø 76.1 mm

YCME/YHME 0162HE to 0222HE



YCME/YHME 0202-0222



All dimensions in mm. Drawings not a scale.

Size	Hydraulic connections
YCME/YHME 0202-0222	2" 1/2 Victaulic Ø 76.1 mm