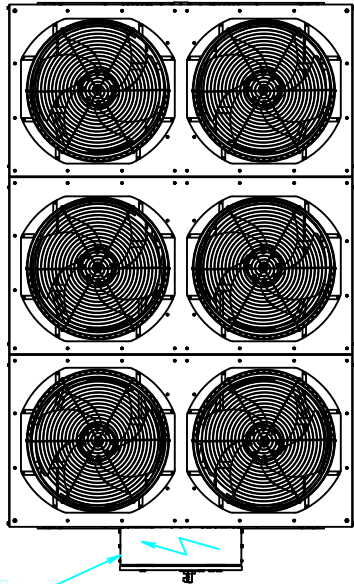
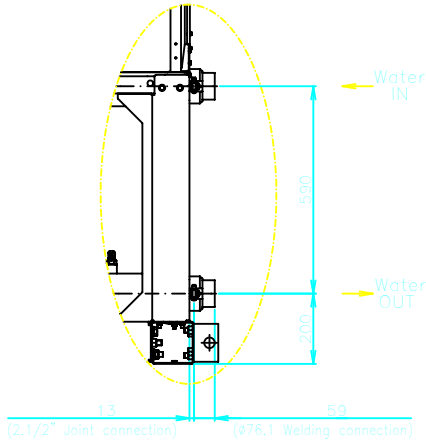


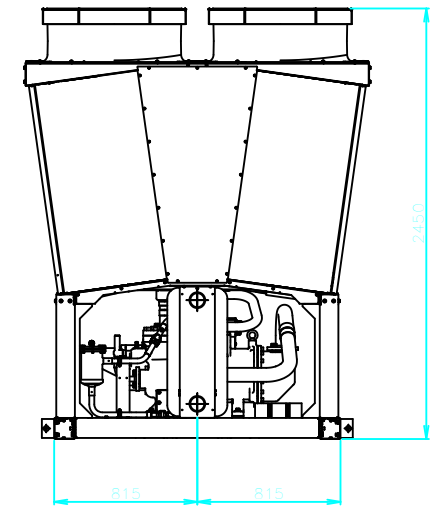
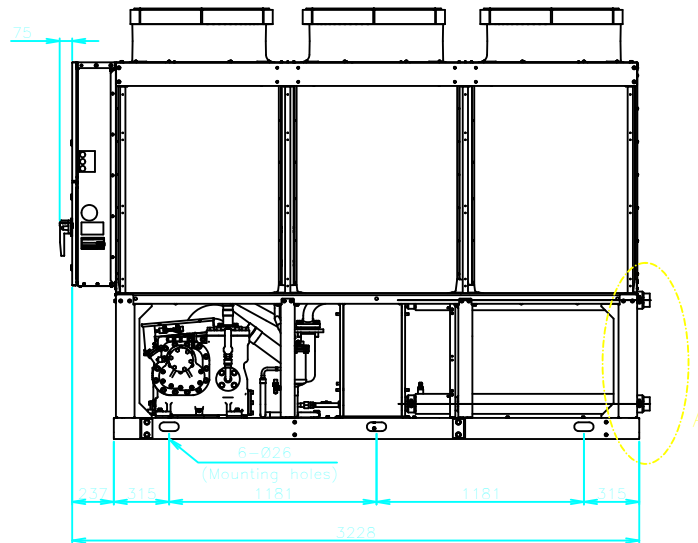
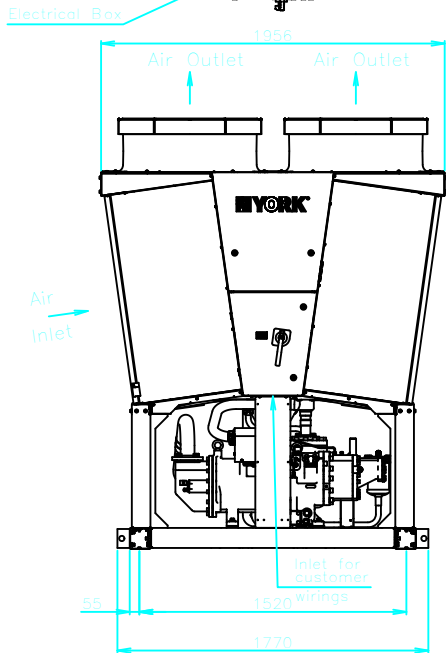
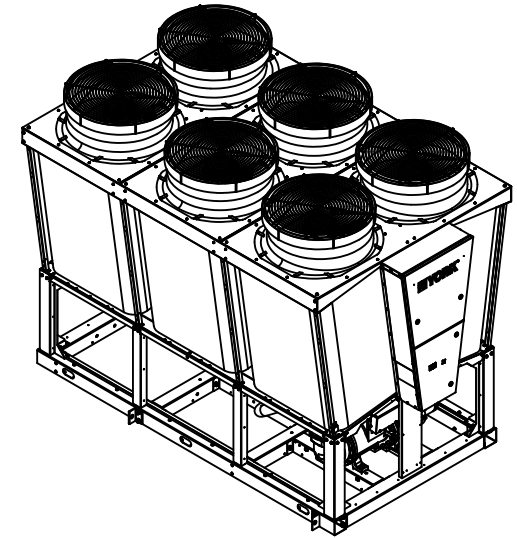
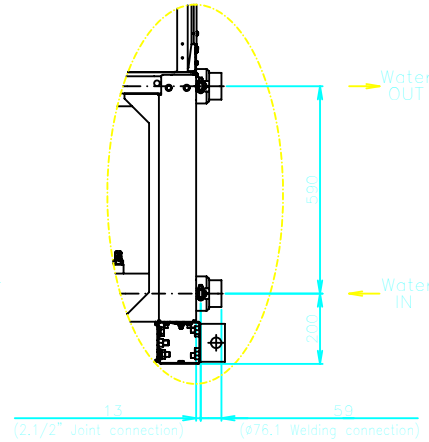
DIMENSIONAL DRAWING OF AIR-COOLED WATER CHILLER
(Y(C/H)ME0202HE,Y(C/H)ME0222HE)



A Detail
For YCME-HE



For YHME-HE



	DWG		TITLE DIMENSIONAL DRAWING
	CHKD		
	APPD		

Johnson Controls-Hitachi Air Conditioning Spain S.A.U	DWG. NO. XEKS1823
--	----------------------