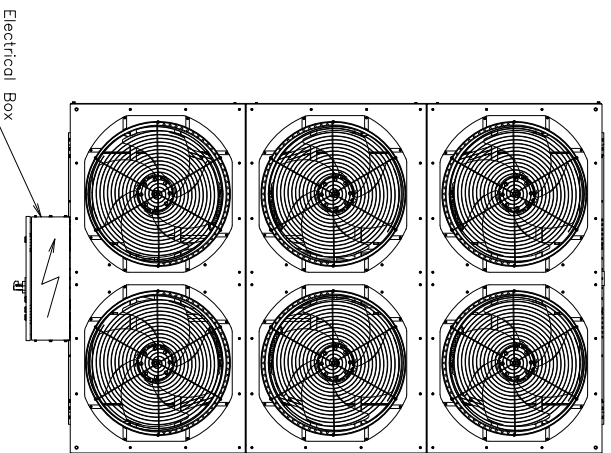


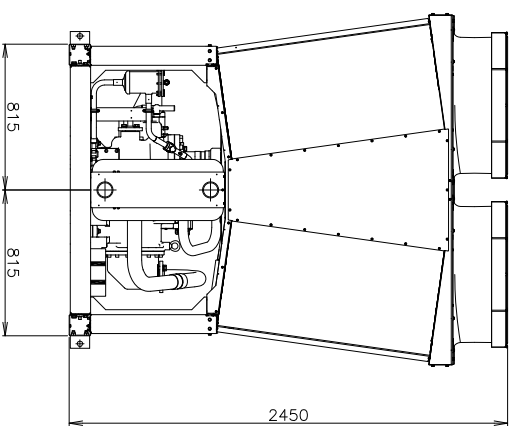
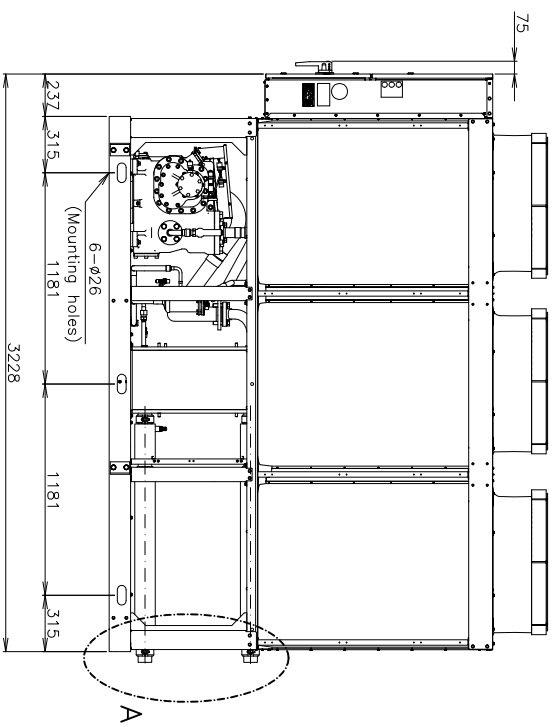
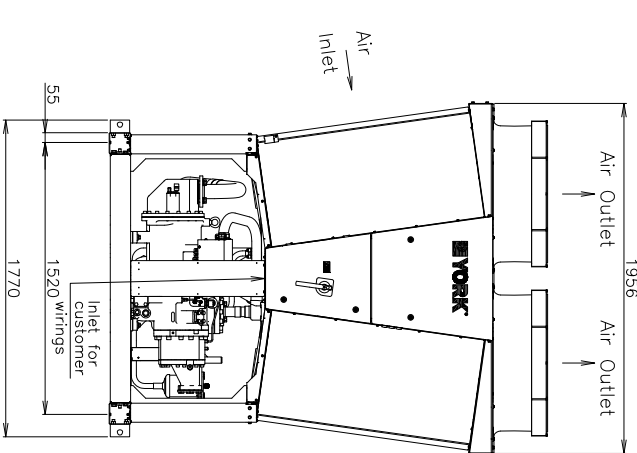
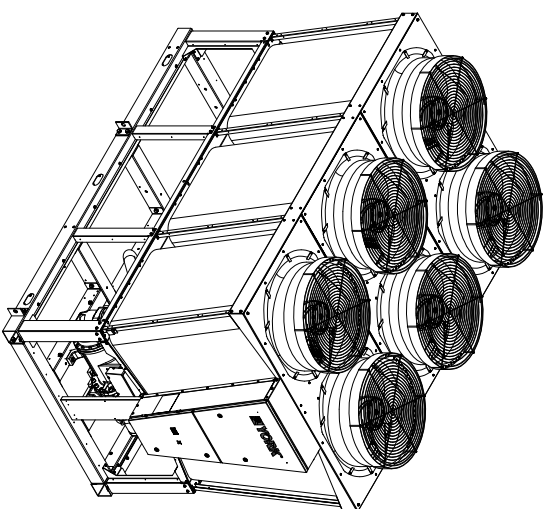
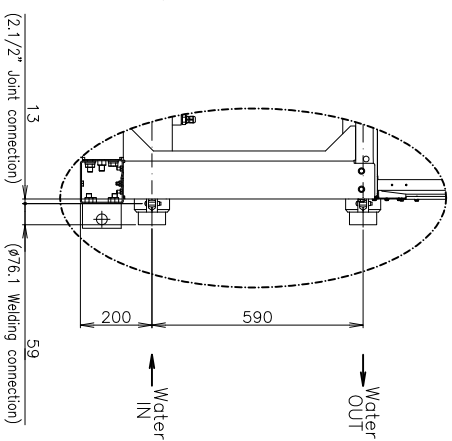
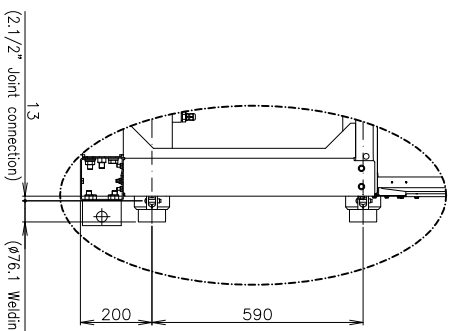
DIMENSIONAL DRAWING OF AIR-COOLED WATER CHILLER
(Y/C/H)ME0202HE,Y(C/H)ME0222HE)

A Detail



For YCME-HE

For YHME-HE



0 50 100

| | | | |
|------------|-----|---|----------|
| PROJECTION | DMN | TITLE | DWG. NO. |
| CHD | ... | DIMENSIONAL | XEKS1823 |
| APFD | ... | DRAWING | |
| | | Johnson Controls-Hitachi Air Conditioning Spain S.A.U. | |