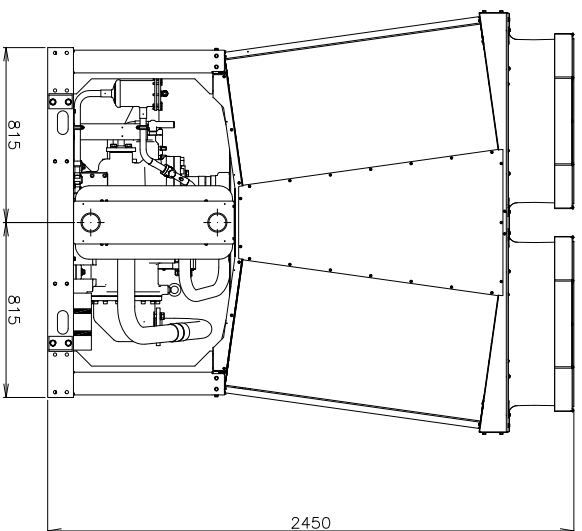
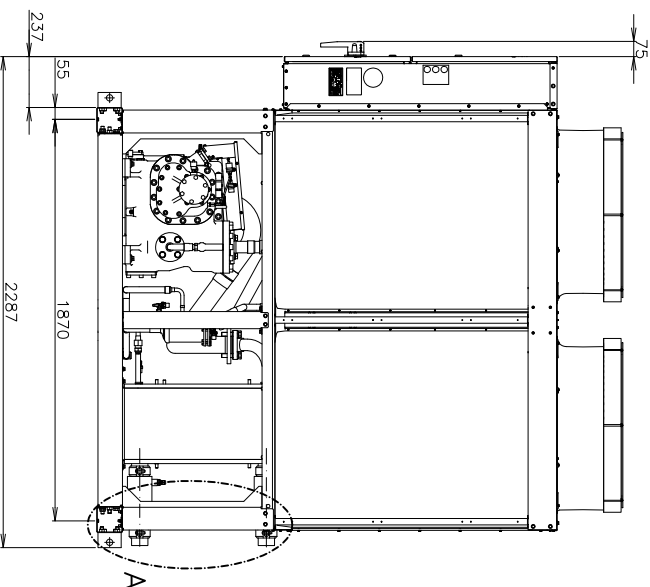
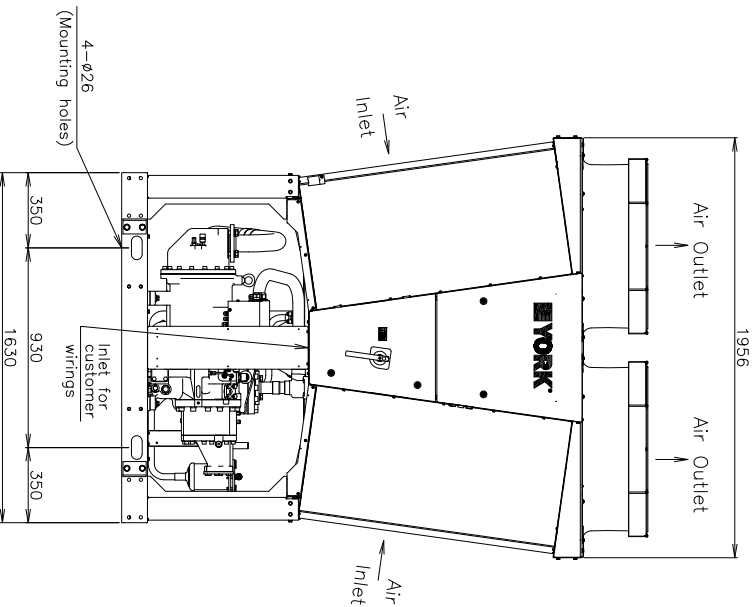
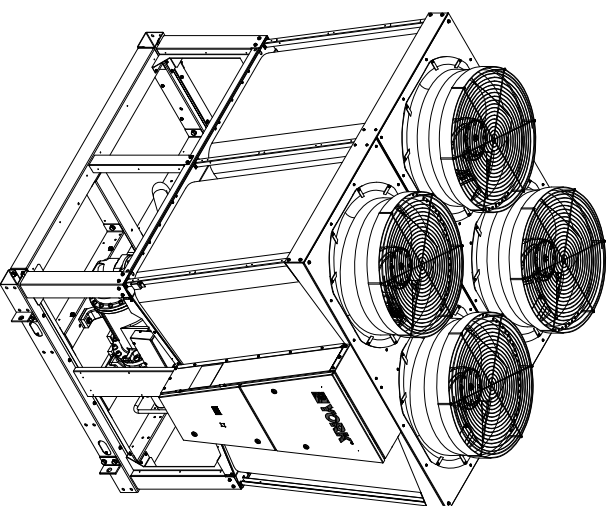
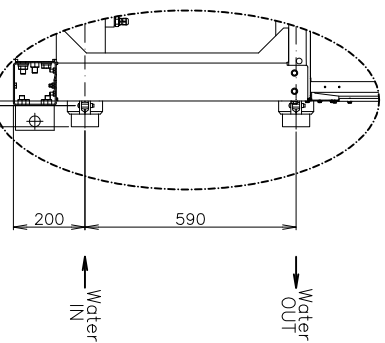
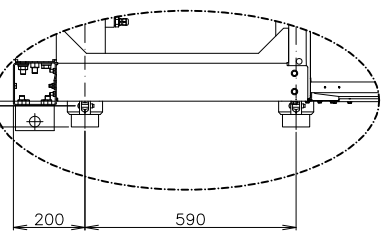
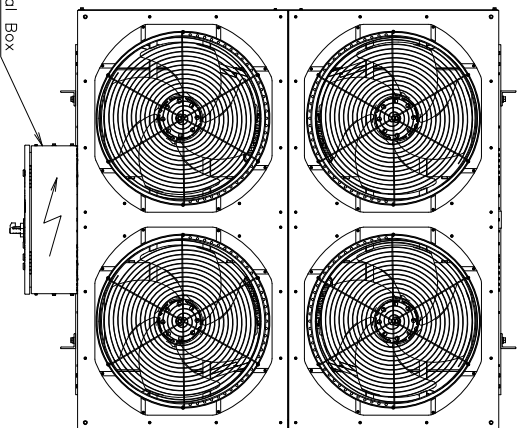


DIMENSIONAL DRAWING OF AIR-COOLED WATER CHILLER  
(Y(C/H)ME0162HE,Y(C/H)ME0182HE)

A Detail

For YCME-HE

For YHME-HE



PROJECTION	DMN	TITLE	DWG. NO.
CHD	•••	DIMENSIONAL	JKS1822
APFD	••	DRAWING	
		Johnson Controls-Hitachi Air Conditioning Spain S.A.U.	