

YVAA Air-cooled VSD screw chiller

Cooling capacities from 569 kW to 1654 kW

At Eurovent Standard Conditions this equipment meets A Class energy efficiency levels.



Compatible range



Note: this picture is showing aesthetics enclosures, contact your York office for additional information

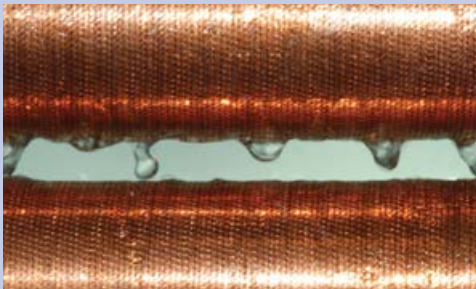
Features

- Reduce your annual energy costs by as much as 30%
- Reduce your sound levels by up to 16 dBA to meet tighter regulations
- Enhance your flexibility with a variety of chiller options to fit your needs
- Minimise your environmental impact dramatically
- Lower your part load energy and night time sound levels with inverter fans and compressors
- Deliver increased motor longevity and increased chiller reliability with low starting currents
- Cut your operational expenses with a high chiller power factor at all loads
- Improve your peace of mind knowing we stand behind every chiller

Options / Accessories

- BMS Interfacing options
- Advanced Controls (Silent night™, Quick restart)
- Low temperature application options
- Dual pressure relief valves
- Flow switch
- Epoxy treatment Microchannel Coils
- Fan options
- Enclosure options
- Sound attenuation options
- Anti-vibration mounts options
- Desuperheater

Photo courtesy of the LTCM lab of the Ecole Polytechnique Fédérale de Lausanne, Switzerland



Reduce refrigerant charges by up to 15% beyond traditional chiller designs with the YVAA's falling-film evaporator and microchannel condenser coil technology.



A more efficient chiller means less electricity generation, which reduces greenhouse gas emissions, water consumption – and your environmental footprint. The sustainability advantages of the YVAA chiller give you the opportunity to **earn points in the LEED® and BREEAM® building certification programs.**





Air-cooled VSD screw chiller

YVAA 0588 to 1843

Application flexibility (*) example of selections

YVAA	0588	0643	0665	0688	0700	0743	0765	0788	0843	0865	0888	0943
Cooling capacity (kW)	569	573	588	639	614	658	649	738	748	768	808	812
EER	3.24	3.07	3.17	3.23	2.83	3.13	3.16	3.15	2.90	3.14	3.17	2.99
SEER	4.32	4.27	4.40	4.58	4.15	4.41	4.63	4.73	4.50	4.73	4.80	4.61
$\eta_{s,c}$	170	168	173	180	163	173	182	186	177	186	189	181
Sound power level (dBA)	98	96	97	98	95	97	96	98	98	98	98	99

YVAA	0960	0963	0965	0988	1015	1065	1088	1093	1143	1173	1188	1193	1215
Cooling capacity (kW)	832	867	898	933	948	971	997	964	1002	1008	1022	1017	1047
EER	3.06	3.07	3.09	3.15	3.13	3.02	3.15	2.92	2.95	2.92	3.18	3.07	3.11
SEER	4.48	4.71	4.87	5.00	4.85	4.74	4.97	4.61	4.68	4.61	5.02	4.78	4.90
$\eta_{s,c}$	176	186	192	197	191	187	196	181	184	182	198	188	193
Sound power level (dBA)	98	99	99	100	99	100	100	100	99	100	100	100	100

YVAA	1288	1315	1343	1388	1443	1488	1515	1543	1650	1665	1693	1700	1843
Cooling capacity (kW)	1118	1077	1221	1260	1455	1237	1346	1371	1385	1390	1545	1569	1654
EER	3.23	3.17	3.11	3.11	2.92	3.17	3.14	3.16	3.08	3.04	3.07	2.91	2.96
SEER	4.84	4.72	4.68	4.63	4.56	4.87	4.83	4.86	4.73	4.62	4.75	4.57	4.67
$\eta_{s,c}$	190	186	184	182	179	192	190	192	186	182	187	180	184
Sound power level (dBA)	100	100	101	100	101	101	102	102	103	102	102	103	105

Net values at Eurovent nominal conditions for models using R134a: Cooling capacities in kW given for 7°C water leaving temperature Δt 5°C and 35°C ambient temperature. SEER calculated according to EN14511 and EN14825.

$\eta_{s,c}$ calculated according to Ecodesign regulation for chillers comfort cooling (2016/2281). For other Ecodesign calculations, please contact your JCI representative.

(*) YVAA is a tailor and tune chiller. Its performance will be factory-adjusted to match the exact site requirements based on the specific project operating conditions. The table above shows only a representative sample of performance points based on generic project operating conditions working with R134a refrigerant.

For R513a information contact your JCI Representative.

For tailored and tuned performance based on your specific project requirements, and for more information, please contact your Johnson Controls representative.

The above data is based on Johnson Control's selection software YORKworks 18.06. Please refer to the latest version of the software for specific projects.

Technical data

YVAA			0588	0643	0665	0688	0700	0743	0765	0788	0843	0865	0888	0943
Dimensions	Length	mm	7397	6274	7397	8514	5741	7397	7397	8514	7397	8514	9631	8514
	Width	mm	2241											
	Height	mm	2401											
Operating weight kg			7554	6208	6551	7012	6977	6589	7668	8011	6793	8100	8445	7151
Refrigerant charge kg			204	150	164	189	186	160	204	218	182	216	228	192

YVAA			0960	0963	0965	0988	1015	1065	1088	1093	1143	1173	1188	1193	1215
Dimensions	Length	mm	7397	8514	8514	9631	9631	10748	10748	9631	9631	10748	11865	10748	11865
	Width	mm	2241												
	Height	mm	2401												
Operating weight kg			7412	8314	8651	8996	9201	9007	9546	8665	9362	8612	9891	9704	10049
Refrigerant charge kg			228	240	242	246	261	248	268	243	268	264	277	282	286

YVAA			1288	1315	1343	1388	1443	1488	1515	1543	1650	1665	1693	1700	1843
Dimensions	Length	mm	12987	11864	11864	14104	11864	15222	14104	14104	11864	15222	15222	11865	15222
	Width	mm	2241												
	Height	mm	2401												
Operating weight kg			12435	12086	11169	12939	10558	13284	11249	12802	11287	14066	13149	12951	14066
Refrigerant charge kg			360	353	302	378	365	390	382	336	358	404	350	368	404

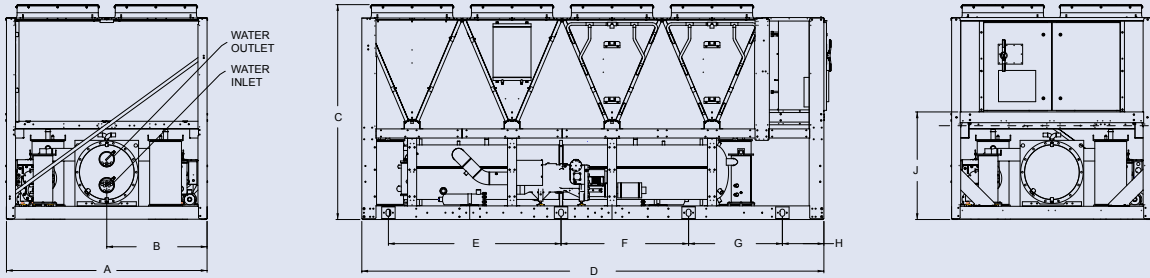


Manufacturer reserves the rights to change specifications without prior notice.

Dimensions and hydraulic connections

All drawings are for two pass evaporator. For other configurations, please, contact JCI.

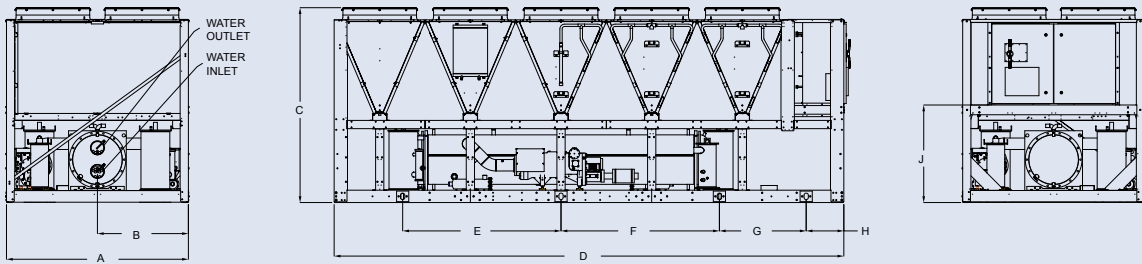
YVAA 0700



Unit frame	A	B	C	D	E	F	G	H	J
YVAA 0700	2241	1121	2401	5741	2098	1814	1054	464	1202

All dimensions in mm. Drawings not a scale.

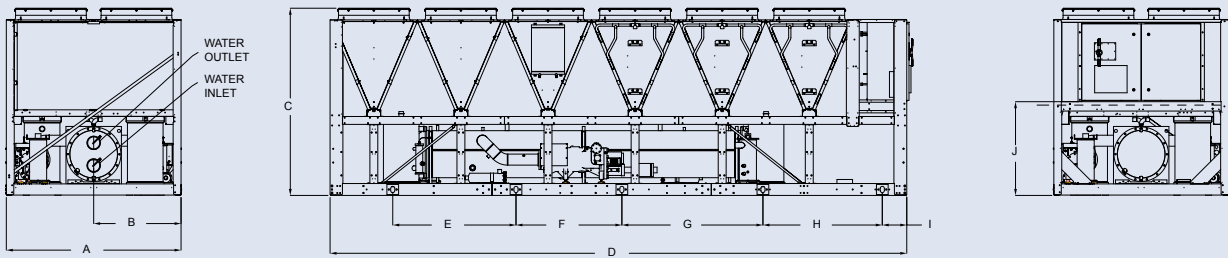
YVAA 0643



Unit frame	A	B	C	D	E	F	G	H	J
YVAA 0643	2241	1121	2400	6274	1962	2104	1069	464	1202

All dimensions in mm. Drawings not a scale.

YVAA 0588, 0665, 0743, 0765, 0843 & 0960



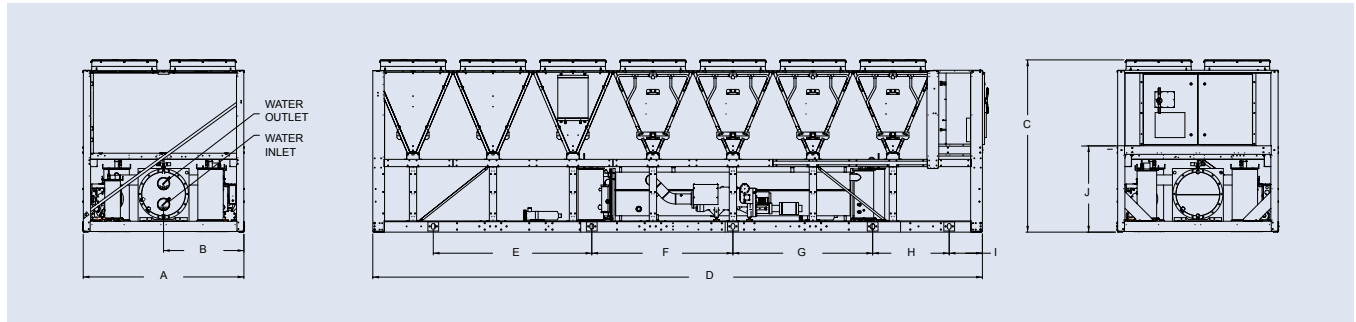
Unit frame	A	B	C	D	E	F	G	H	I	J
YVAA 0588 & 0765	2241	1121	2401	7397	1581	1358	1809	1531	314	1202
YVAA 0665 & 0743	2241	1121	2401	7397	1159	2125	2103	1069	464	1202
YVAA 0843	2241	1121	2401	7397	1464	1971	1951	1069	464	1202
YVAA 0960	2244	1122	2405	7397	1421	1358	1799	1541	314	1206

All dimensions in mm. Drawings not a scale.

Dimensions and hydraulic connections

All drawings are for two pass evaporator. For other configurations, please, contact JCI.

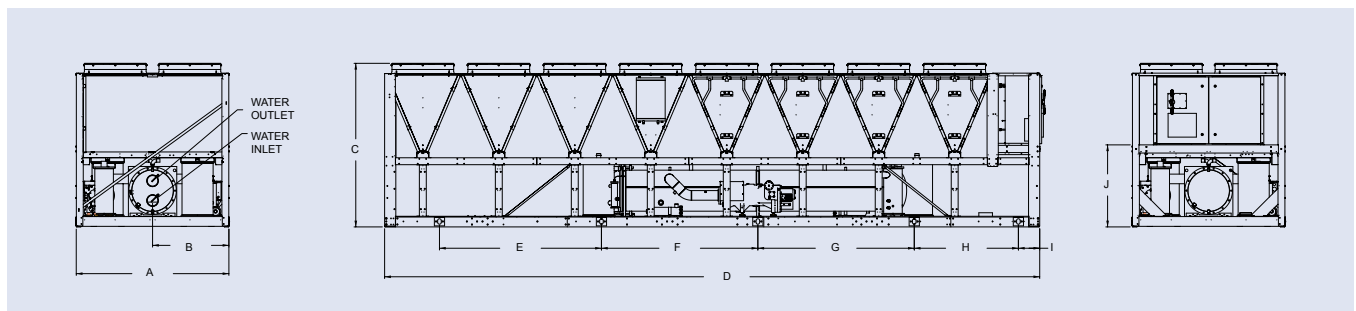
YVAA 0688, 0788, 0865, 0943, 0963 & 0965



Unit frame	A	B	C	D	E	F	G	H	I	J
YVAA 0688 & 0943	2244	1122	2405	8514	2214	1951	1952	1069	464	1206
YVAA 0788	2244	1122	2405	8514	1774	2299	2299	1531	314	1206
YVAA 0865	2244	1122	2405	8514	2129	2299	2256	1069	464	1206
YVAA 0963 & 0965	2244	1122	2405	8514	1501	2115	1529 + 1228	1531	314	1206

All dimensions in mm. Drawings not a scale.

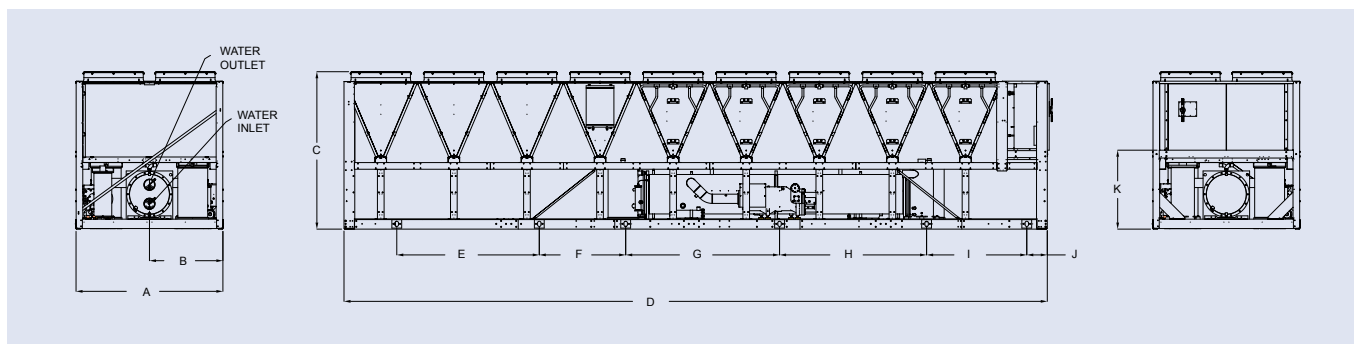
YVAA 0888, 0988, 1015, 1093, & 1143



Unit frame	A	B	C	D	E	F	G	H	I	J
YVAA 0888	2244	1122	2405	9631	2381	2299	2299	1531	314	1206
YVAA 0988 & 1143	2244	1122	2405	9631	2656	1568	1529 + 1228	1531	314	1206
YVAA 1015	2244	1122	2405	9631	1467	2807	2706	1531	314	1206
YVAA 1093	2244	1122	2405	9631	2381	2351	2247	1531	314	1206

All dimensions in mm. Drawings not a scale.

YVAA 1065, 1088, 1173, & 1193



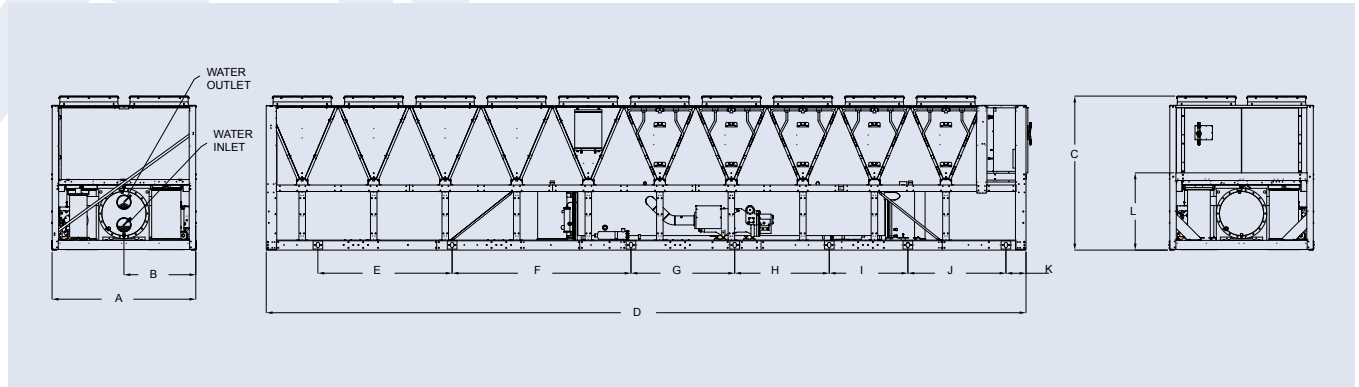
Unit frame	A	B	C	D	E	F	G	H	I	J	K
YVAA 1065	2244	1122	2405	10748	2178	1320	2351	2247	1531	314	1206
YVAA 1088	2244	1122	2405	10748	2433	1340	1620	1477 + 1228	1531	314	1206
YVAA 1173	2244	1122	2405	10748	2177	1323	2299	2299	1531	314	1206
YVAA 1193	2244	1122	2405	10748	2433	1340	1568	1529 + 1228	1531	314	1206

All dimensions in mm. Drawings not a scale.

Dimensions and hydraulic connections

All drawings are for two pass evaporator. For other configurations, please, contact JCI.

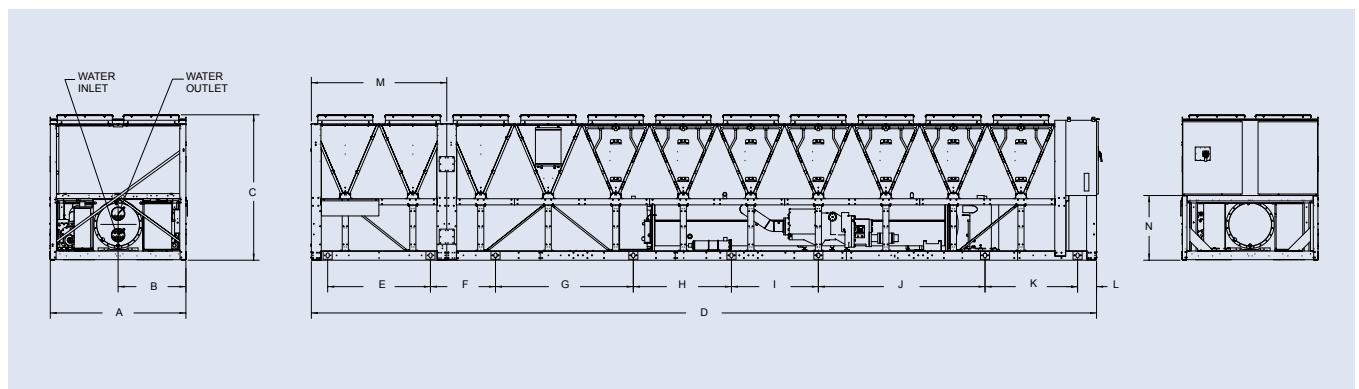
YVAA 1188, 1215, 1315, 1343, 1443, 1650 & 1700



Unit frame	A	B	C	D	E	F	G	H	I	J	K	L
YVAA 1188	2244	1122	2405	11865	2097	2793	1619	1477	1228	1531	314	1206
YVAA 1215	2244	1122	2405	11865	2097	2793	1568	1529	1228	1531	314	1206
YVAA 1315 / 1343 / 1443	2243	1122	2405	11864	3397	1623	1437	2757	-	1531	314	1070
YVAA 1650 & 1700	2243	1122	2405	11864	3701	1319	1437	2757	-	1531	314	1070

All dimensions in mm. Drawings not a scale.

YVAA 1288



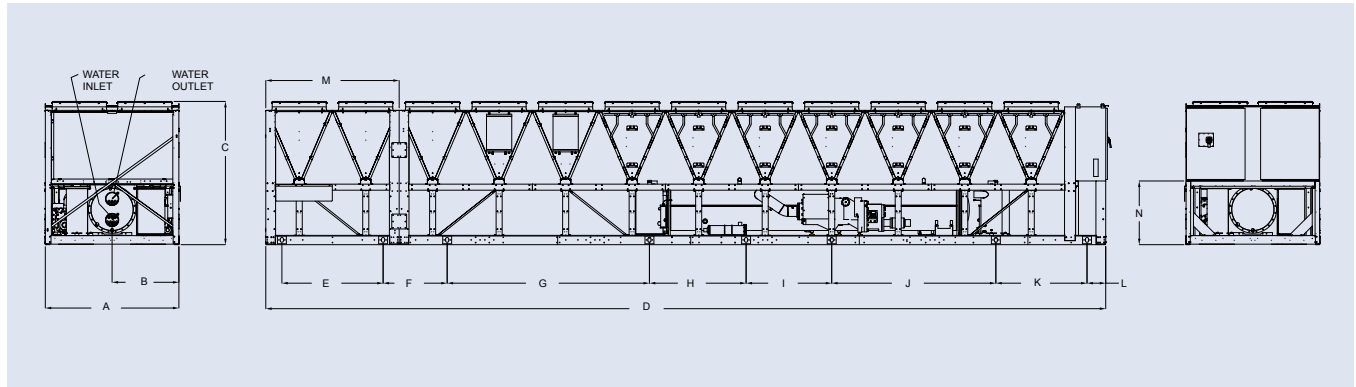
Unit frame	A	B	C	D	E	F	G	H	I	J	K	L	M	N
YVAA 1288	2243	1122	2405	12987	1700	1076	2280	1623	1437	2757	1531	314	2240	1070

All dimensions in mm. Drawings not a scale.

Dimensions and hydraulic connections

All drawings are for two pass evaporator. For other configurations, please, contact JCI.

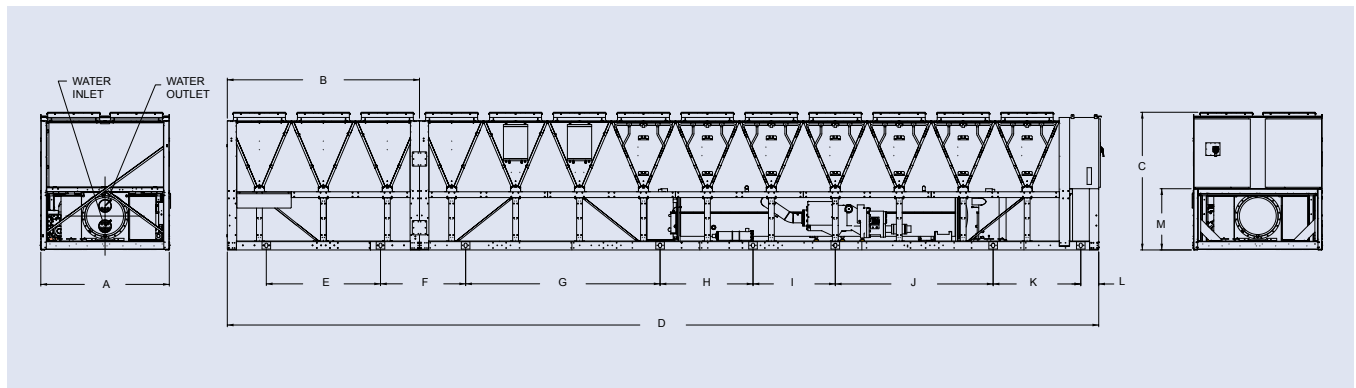
YVAA 1388, 1515 & 1543



Unit frame	A	B	C	D	E	F	G	H	I	J	K	L	M	N
YVAA 1388 / 1515	2243	1122	2405	14104	1700	1076	3397	1623	1437	2757	1531	314	2240	1070
YVAA 1543	2243	1122	2405	14104	1700	1076	3701	1319	1437	2757	1531	314	2240	1070

All dimensions in mm. Drawings not a scale.

YVAA 1488, 1665, 1693 & 1843



Unit frame	A	B	C	D	E	F	G	H	I	J	K	L	M
YVAA 1488	2244	3357	2405	15222	1995	1487	3397	1623	1437	2757	1531	314	1070
YVAA 1665 / 1693 / 1843	2244	3357	2405	15222	1995	1487	3701	1319	1437	2757	1531	314	1070

All dimensions in mm. Drawings not a scale.