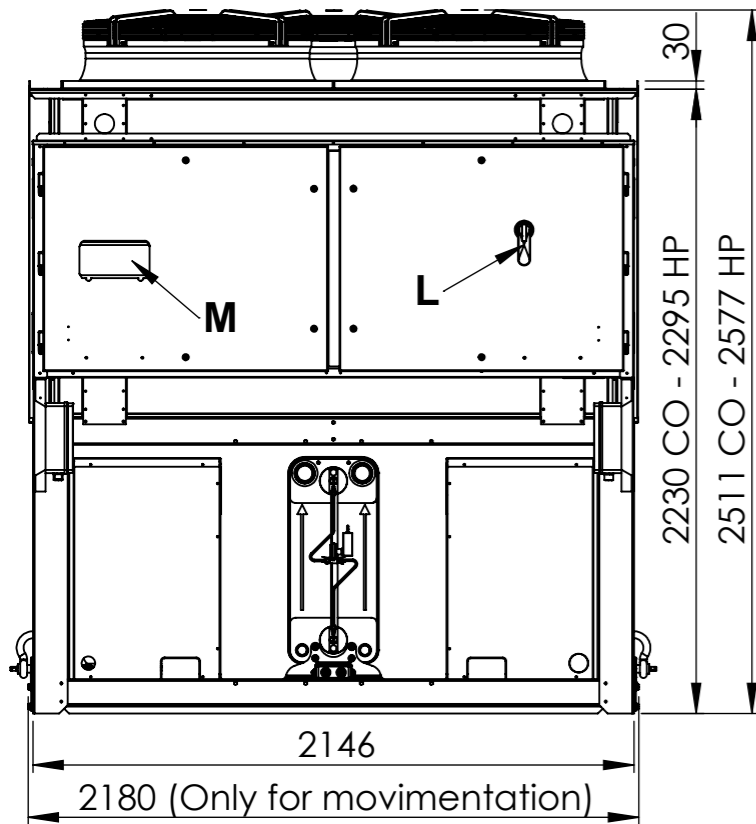
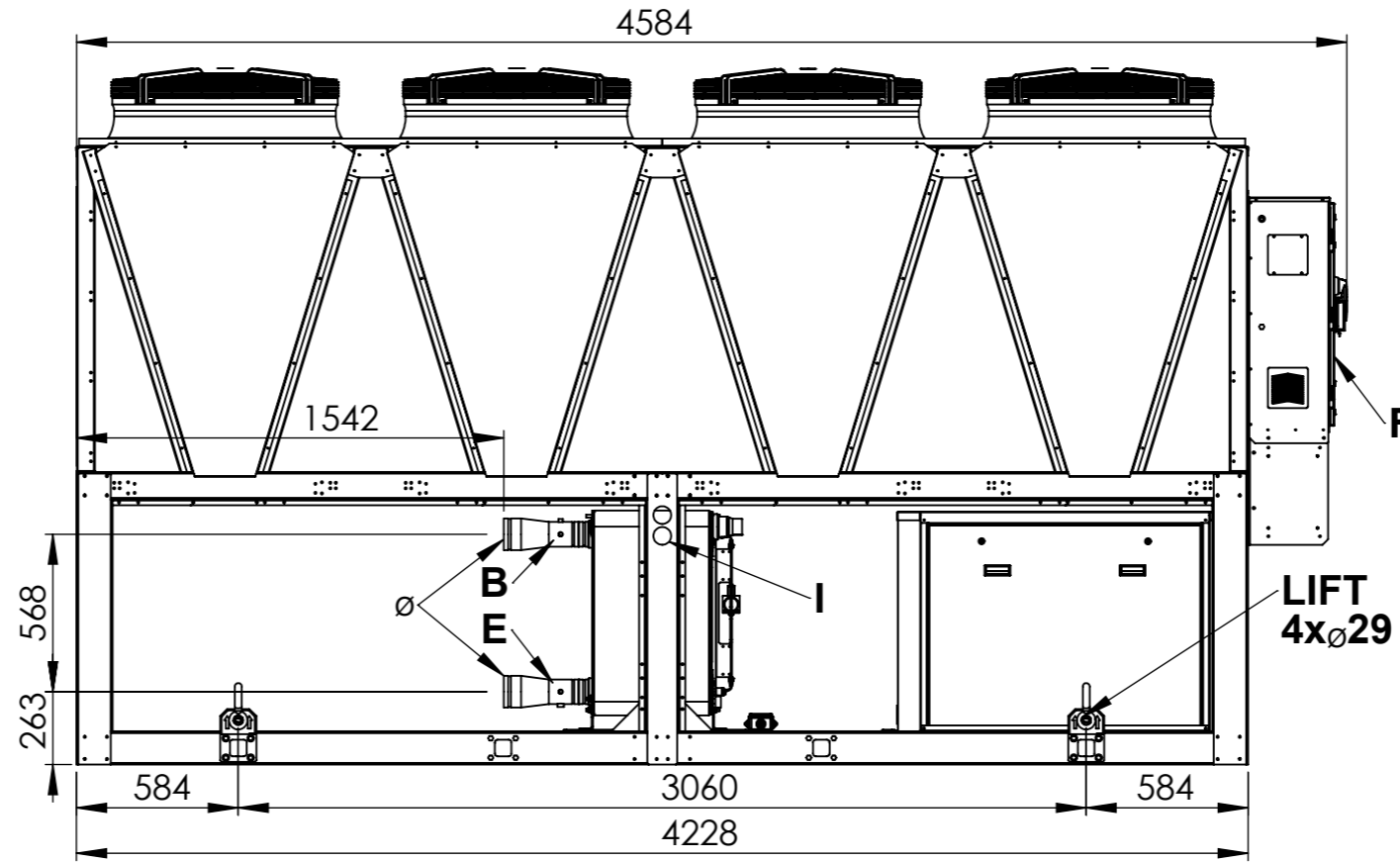


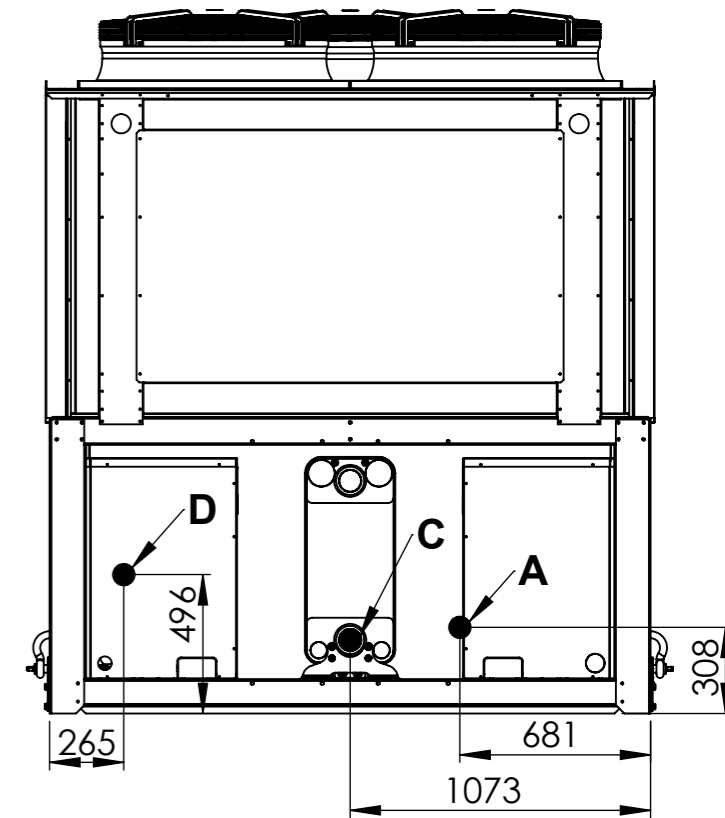
VISTA FRONTALE
TOP VIEW



VISTA LATERALE
SIDE VIEW



VISTA POSTERIORE
BACK VIEW



YLRA 420

- NOTES:
 A B C D E - WATER CONNECTION VICTAULIC
 F - ELECTRICAL POWER SUPPLY
 I - GAUGE KIT (ACCESSORY)
 L - MAIN SWITCH
 M - CONTROL KEYPED / DISPLAY
 P1-P2-P3-P4 - AVM POSITION

SIZE	Ø
420	4" VICTAULIC Ø 114.3mm

HYDRAULIC OPTION	WATER IN	WATER OUT
STD	B	E
1P/2P	A	C
1PT/2PT	A	D

VISTA DALL'ALTO
BOTTOM VIEW

