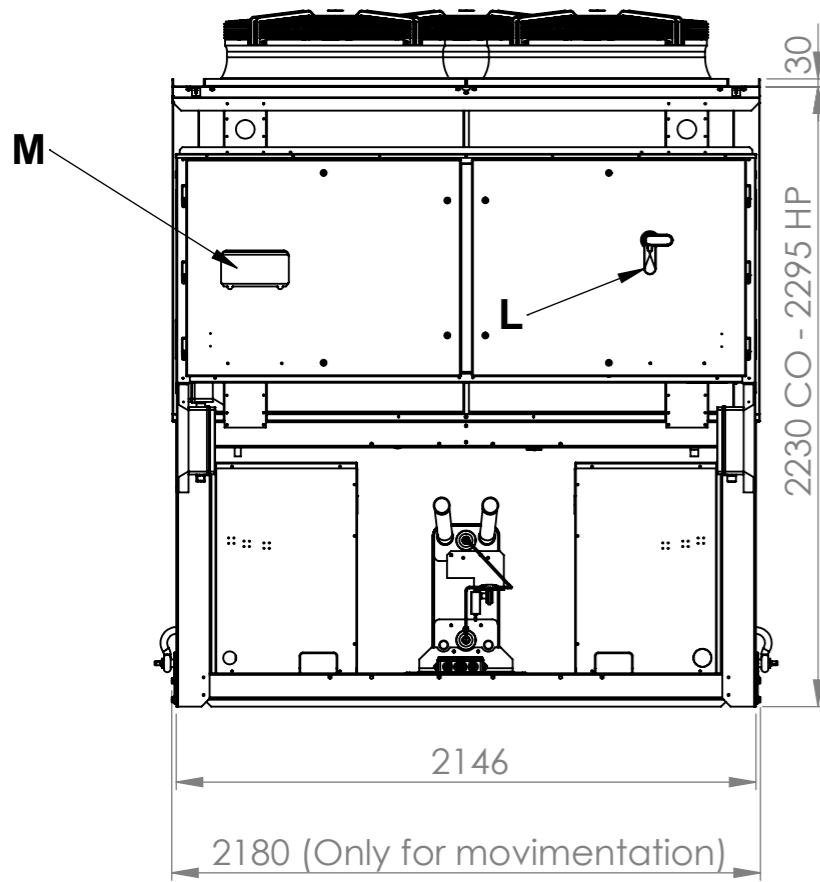
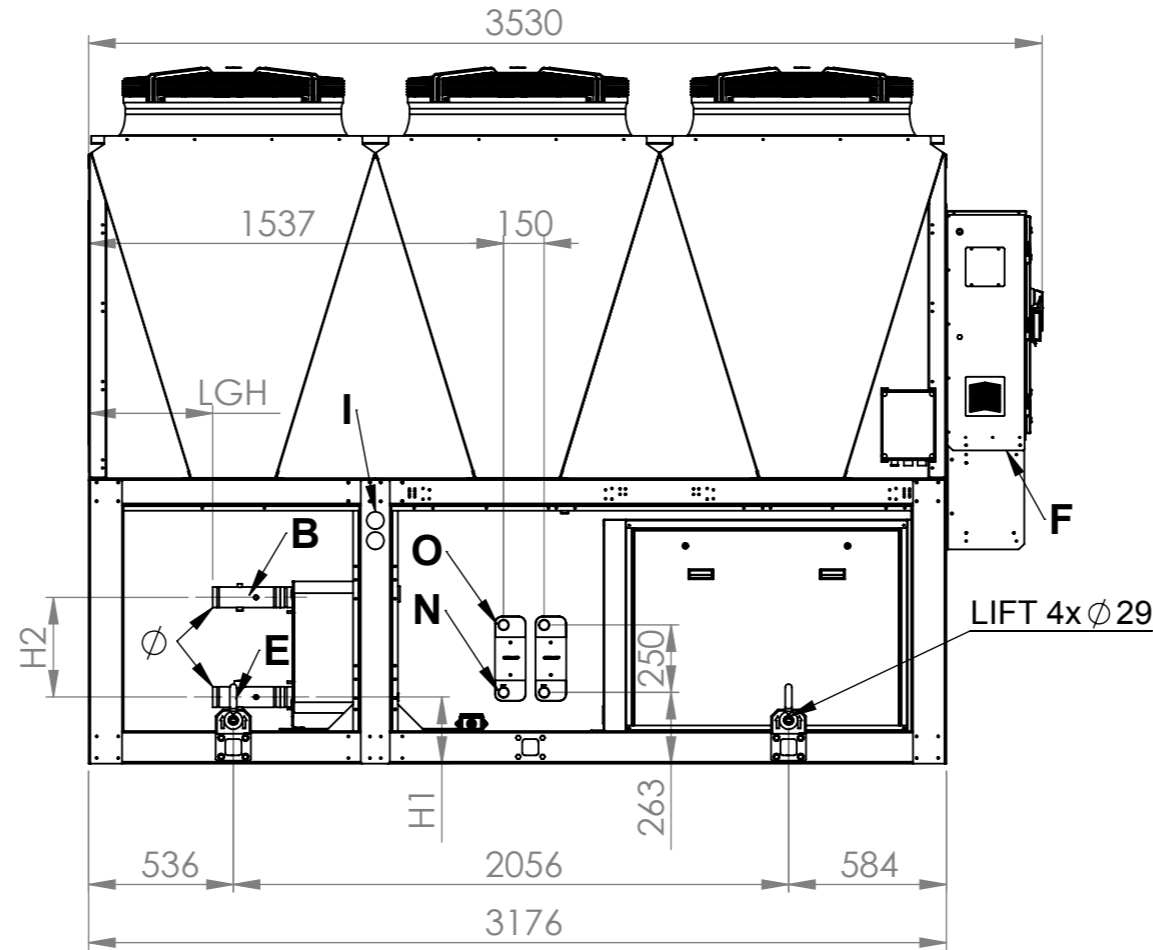


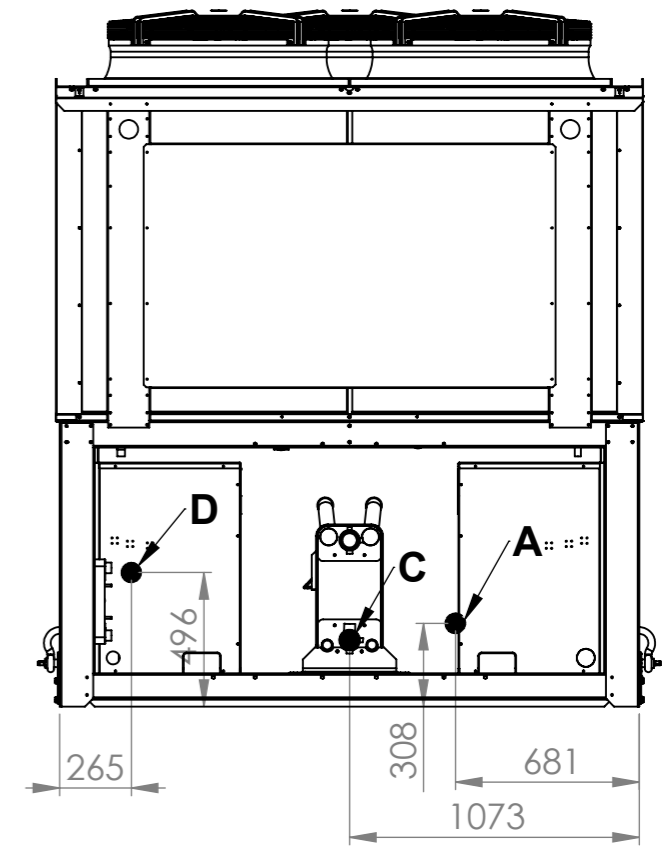
**VISTA FRONTALE
TOP VIEW**



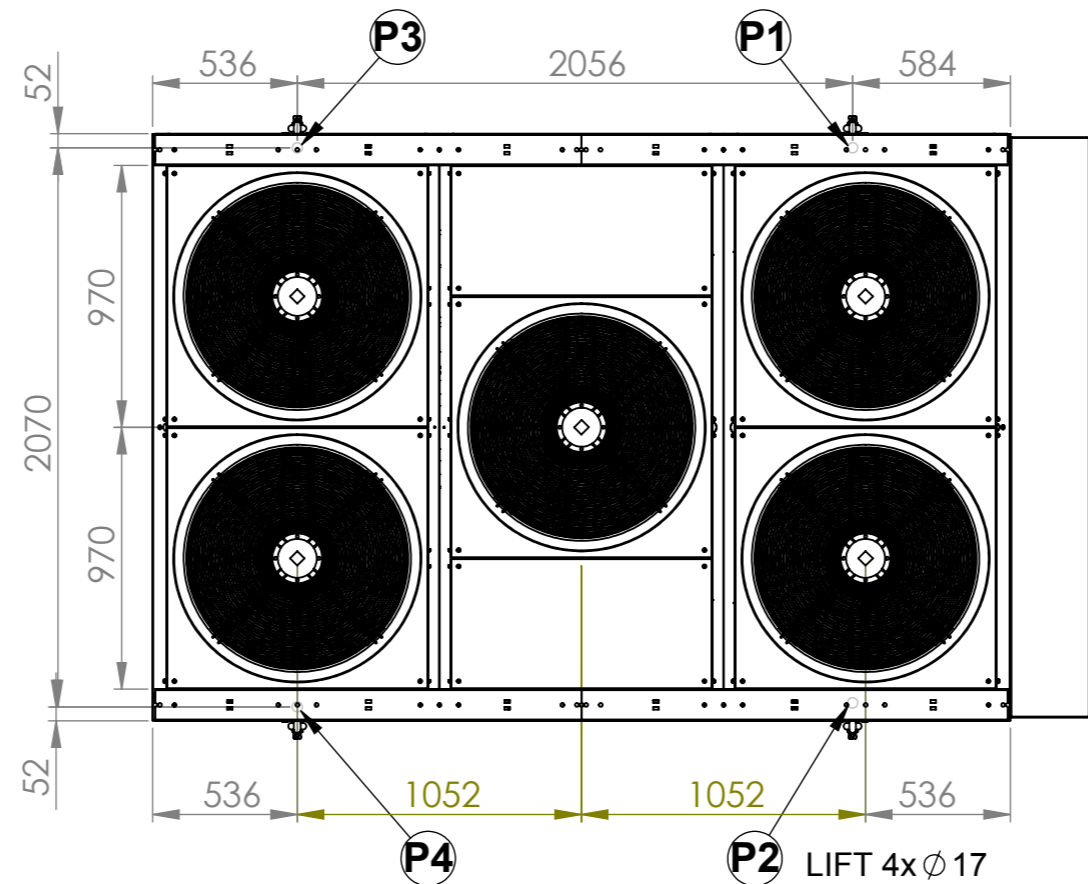
**VISTA LATERALE
SIDE VIEW**



**VISTA POSTERIORE
BACK VIEW**



**VISTA DALL'ALTO
BOTTOM VIEW**



YLRA 200-280

NOTES:
 A B C D E-WATER CONNECTION GAS M
 F - ELECTRICAL POWER SUPPLY
 I - GAUGE KIT (ACCESSORY)
 L - MAIN SWITCH
 M - CONTROL KEYPAD / DISPLAY

OPTIONAL
 N- DESUPERHEATER WATER INLET ϕ 1" GAS M
 O- DESUPERHEATER WATER OUTLET ϕ 1" GAS M

P1, P2, P3, P4 AVM POSITION

RE VERSION

CIRCUIT 1 Q- ϕ 7/8"
 R- ϕ 1 5/8"

CIRCUIT 2 S- ϕ 2 1/8"
 T- ϕ 1 1/8"

SIZE	H1	H2	LGH	ϕ
200	246	370	440	2" 1/2 GAS M ϕ 76,1mm
230-260-280	205	520	344	3" GAS M ϕ 88,9mm

HYDRAULIC OPTION	WATER IN	WATER OUT
STD	B	E
1P/2P	A	C
1PT/2PT	A	D