

# YLAA

## Air-cooled scroll compressor chiller

Cooling capacities from 198 kW to 525 kW



### Options / Accessories

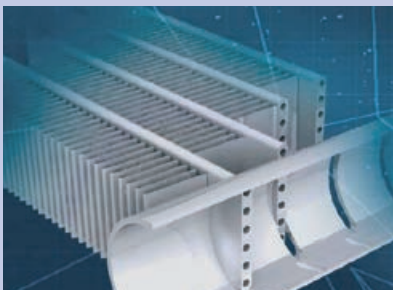
- Soft start
- Power Factor Correction Capacitors
- Low ambient kit
- BMS Interfacing options
- Dual pressure relief valves
- Victaulic coupling
- Flow switch
- Heat recovery option
- Enclosure options
- Sound attenuation options
- Anti-vibration mounts options
- Hydrokits with single and dual pump
- Epoxy Post-coated Dipped Microchannel Coils
- VSD Fans

### Features

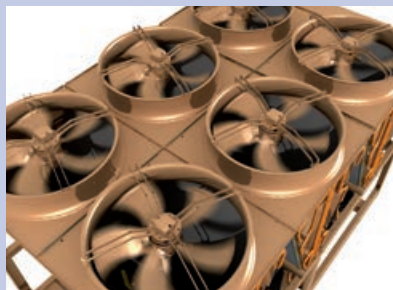
The **YORK YLAA TEMPO** air-cooled chiller is an environmental leader.

Utilising scroll type compressors and microchannel condenser coil technology the **YLAA** delivers premium efficiency for all air conditioning applications.

**YLAA** chillers are a self-contained cooling solution that is light-weight and compact for convenient installation on the ground or on building rooftops.

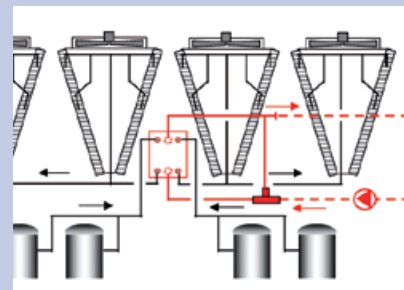


The TEMPO delivers energy efficiency levels that surpasses Eurovent A Class requirements. Aluminium microchannel condenser coil technology is one reason for this premium efficiencies.



Ultra quiet operation can be obtained through optional dual or low speed fans and a compressor accoustic enclosure.

A single point power connection and optional, factory packaged water pumps, water filter and flow switch provide fast and easy installation.



An optional heat recovery feature can be added to provide hot water to 50°C; which is useful for facility heating or hot water preheating.



# Air-cooled scroll compressor chiller

YLAA 0195 to 0517

## Nominal capacity

YLAA	0195	0221	0262	0286	0301	0350	0392	0442	0457	0517
Cooling capacity (kW)	198	211	248	273	297	348	380	431	457	525
EER	3.09	3.20	3.10	2.60	2.97	2.94	2.99	2.93	2.91	2.91
SEER	4.23	4.17	4.05	3.86	4.02	3.9	4.27	4.17	4.42	4.25
$\eta_{s,c}$	166	164	159	151	157	153	168	164	174	167
Sound power level dB(A)	87	87	93	89	90	91	95	92	95	92
Sound power level Low Noise Version dB(A) (1)	82	84	87	87	86	87	88	88	89	89

Net values at Eurovent nominal conditions:

Cooling capacities in kW given for 7°C water leaving temperature  $\Delta t$  5°C and 35°C ambient temperature

Ecodesign figures are calculated following variable outlet approach.

For Ecodesign calculations, please contact your JCI representative.

(1) Low noise version fits Ultra Quiet Fans and compressor acoustic enclosures

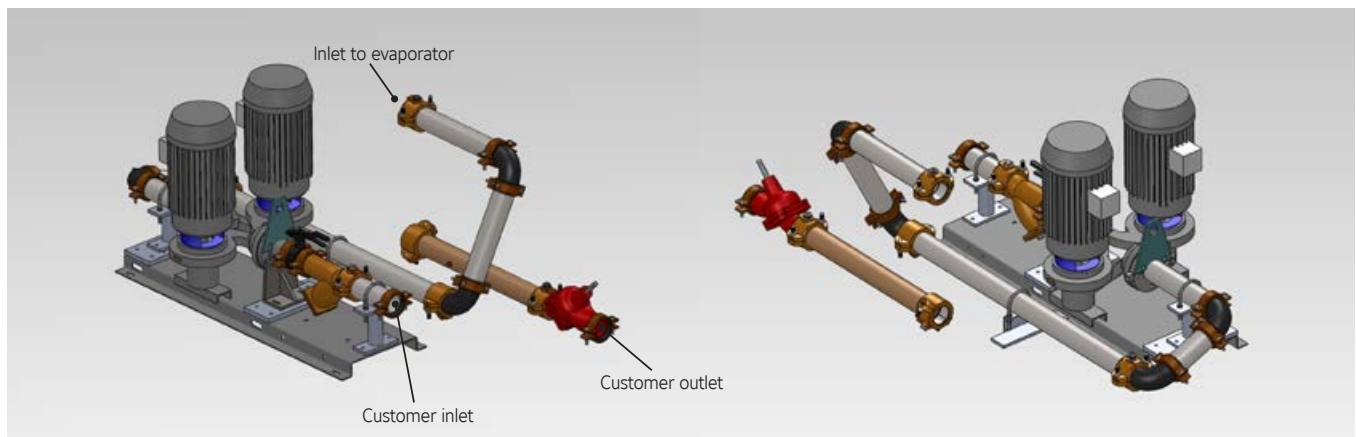
The above data is based on Johnson Control's selection software YORKworks 18.06. Please refer to the latest version of the software for specific projects

## Technical data

YLAA			0195	0221	0262	0286	0301	0350	0392	0442	0457	0517
Dimensions	Length	mm	2911				3614		3690		4769	
	Width	mm	2254			2242		2254		2242		2254
	Height	mm	2507									
Operating weight kg			1706	1721	1852	1853	2170	2339	2508	3343	3481	3615

## YLAA Pump Kit

- Two option levels – basic and full featured – for maximum flexibility
- More impeller size options for better match to customer requirements
- New, smaller pump motors suitable for primary-secondary systems



## YORK® YLAA Scroll with Low GWP R454B

Cooling capacity: 190–530 kW

**GWP: 467 (AR5)**

- 75% lower than R410A
- 30% lower than R32

**Expected performances (TBC)**

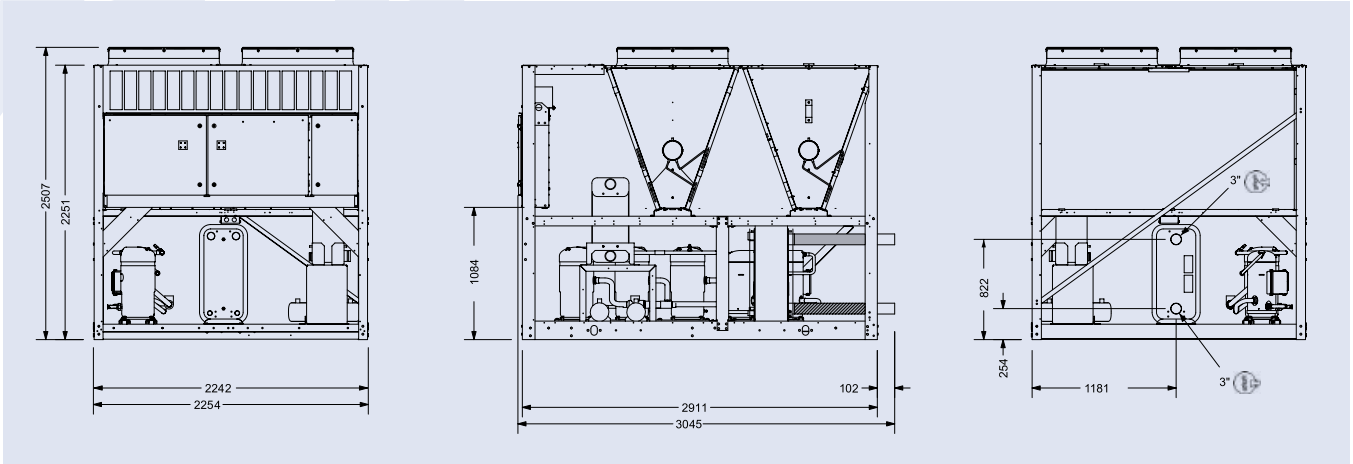
- 1.5% reduction in capacity vs R410A
- 2-3% improvement in FL COP vs R410A
- 1-2% reduction in PL SEER vs R410A



Manufacturer reserves the rights to change specifications without prior notice.

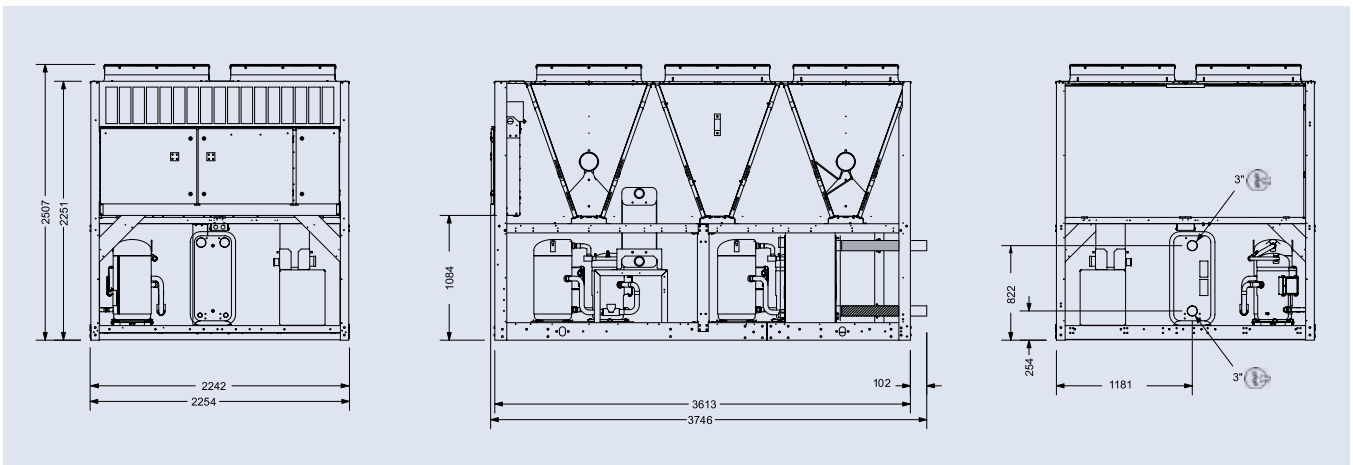
# Dimensions and hydraulic connections

## YLAA 0195, 0221 & 0262



All dimensions in mm. Drawings not a scale.

## YLAA 0301 & 0392

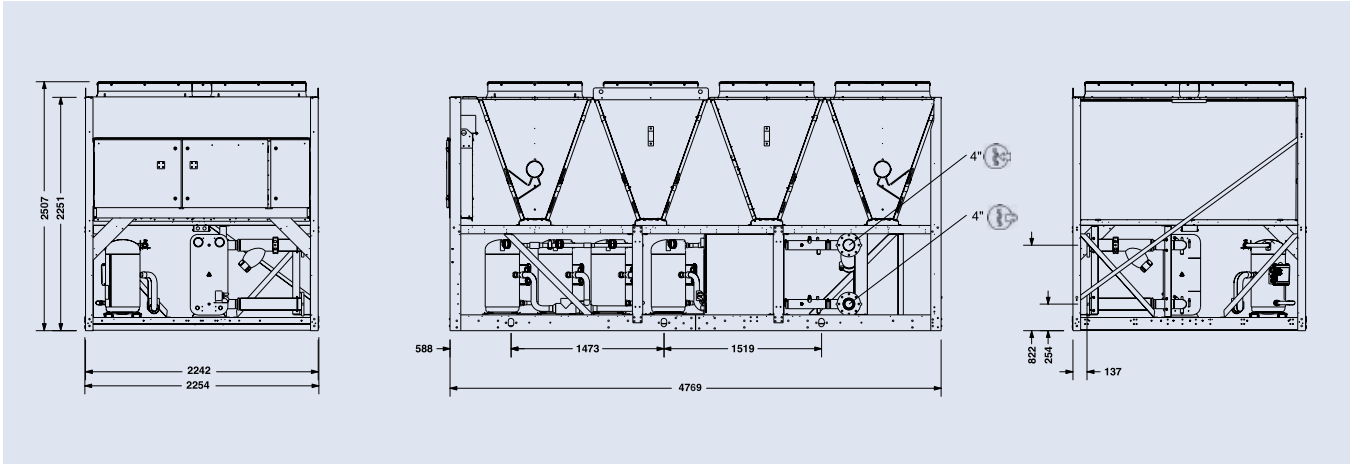


All dimensions in mm. Drawings not a scale.

# YLAA 0195 to 0517

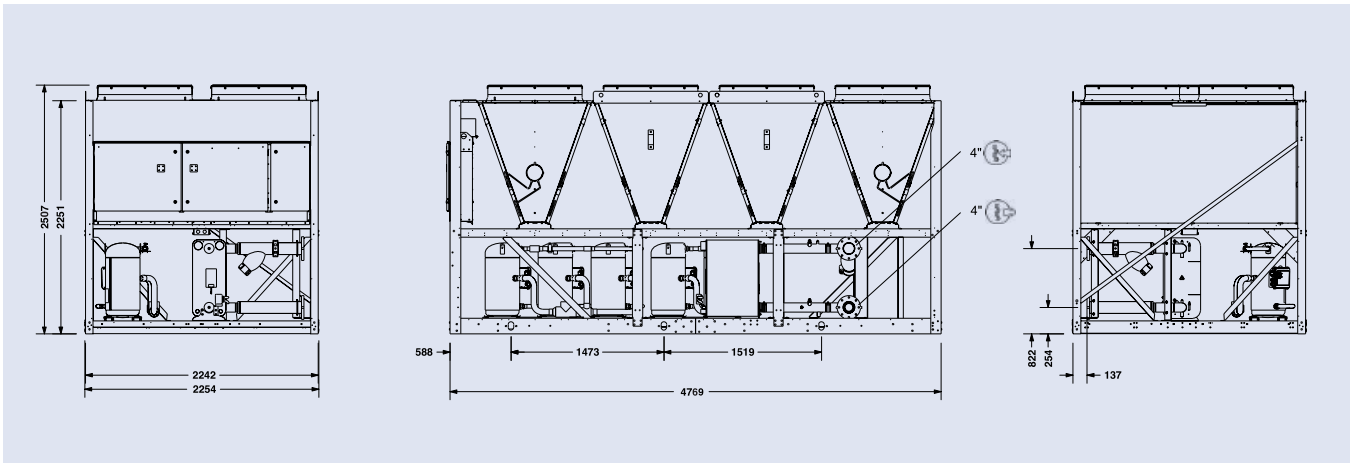


## YLAA0442



All dimensions in mm. Drawings not a scale.

## YLAA0457 & 0517



All dimensions in mm. Drawings not a scale.